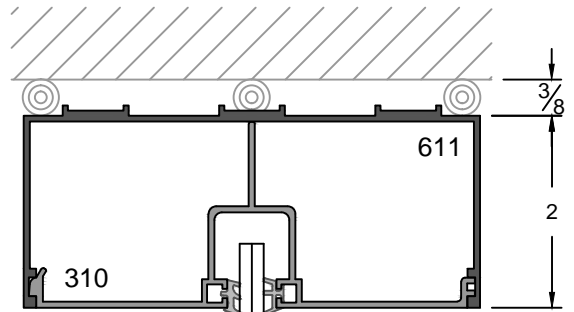
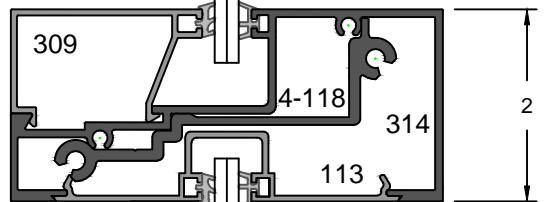


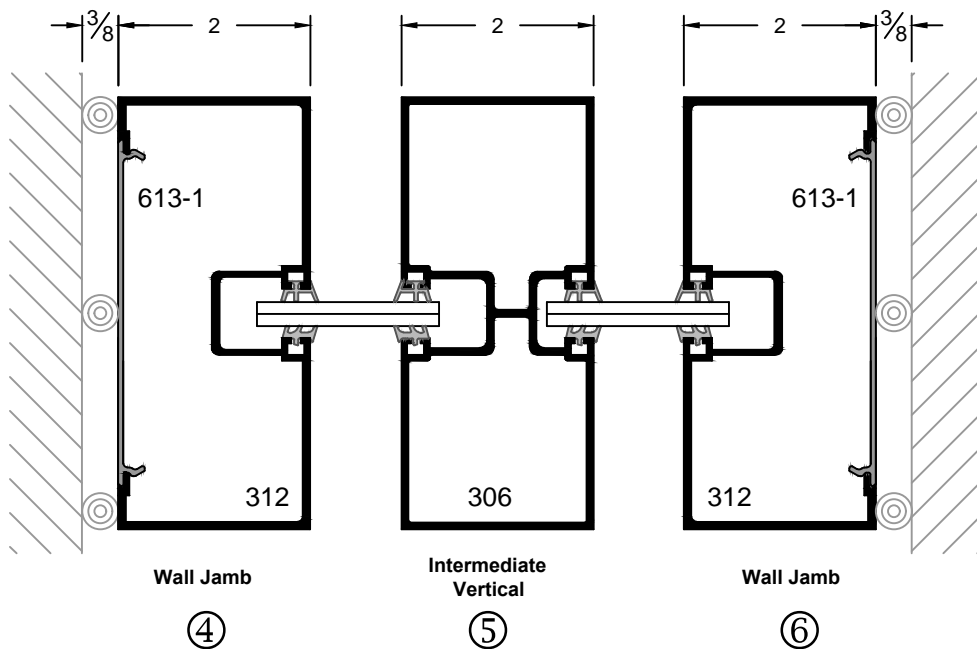
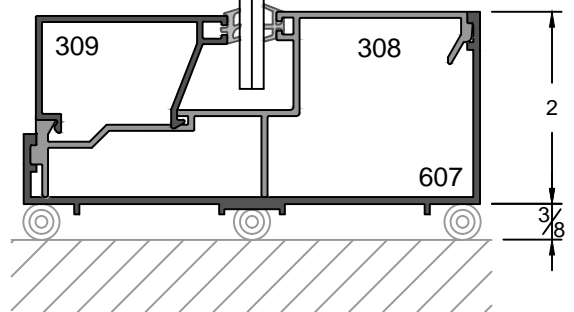
①  
Head

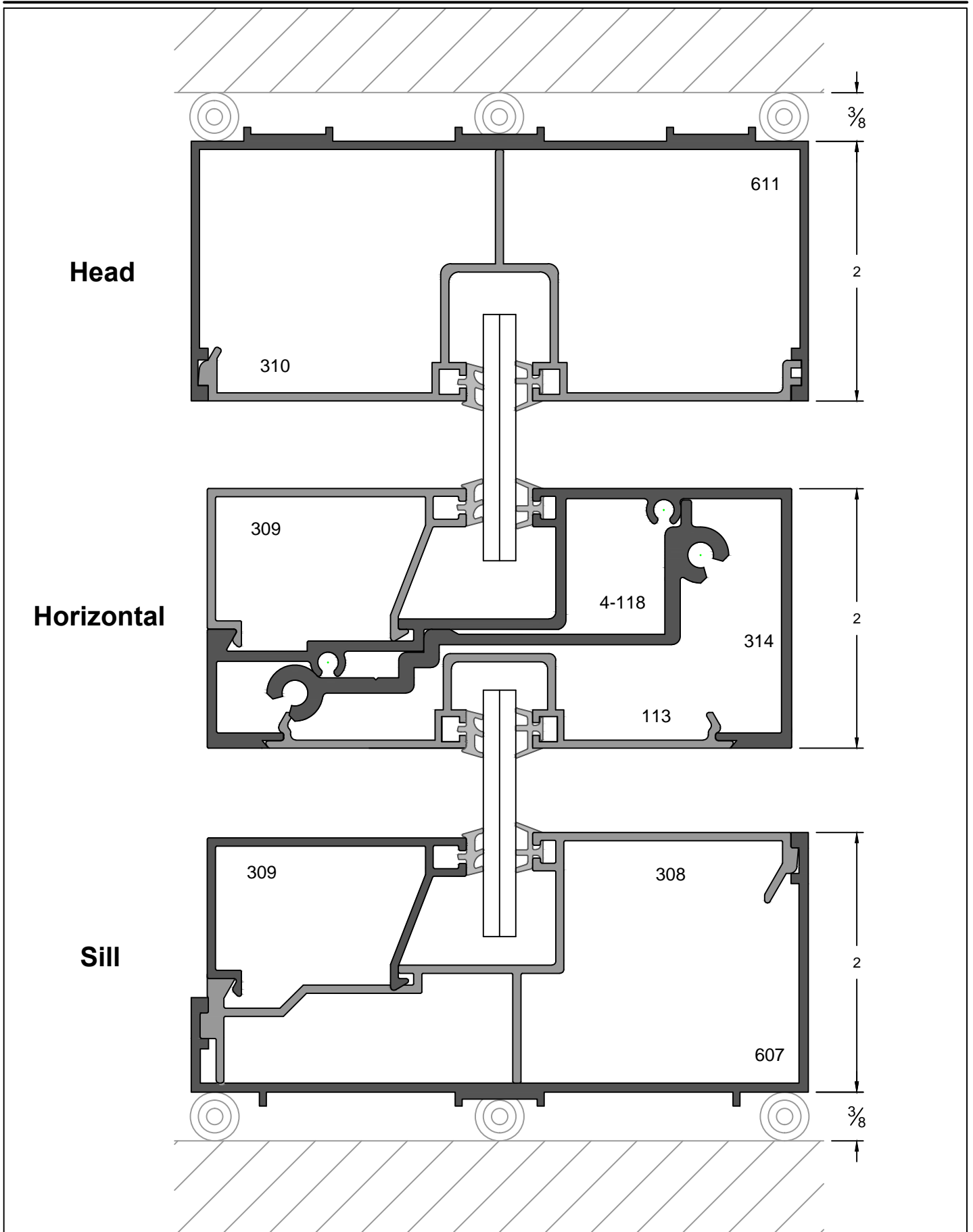


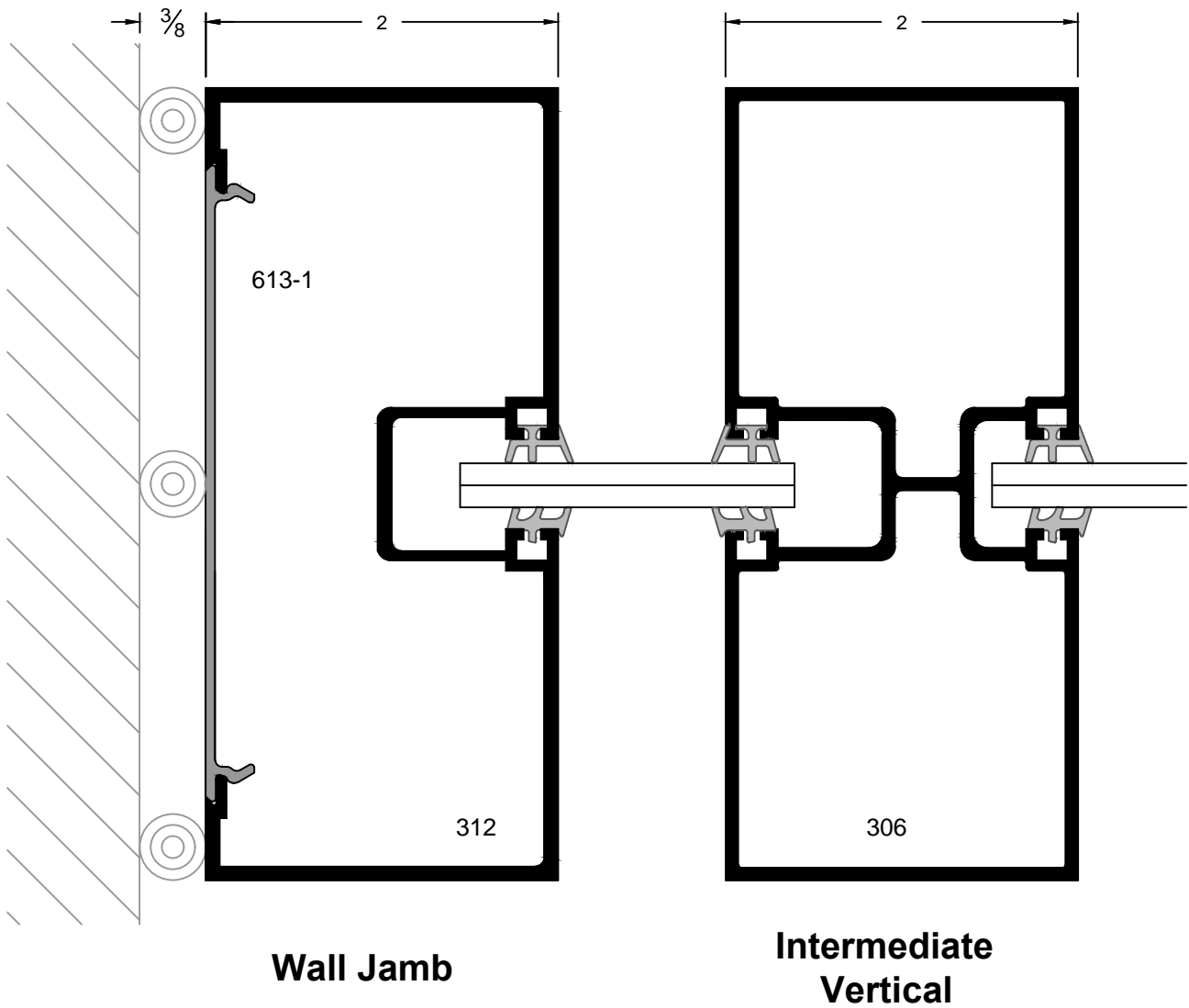
②  
Horizontal

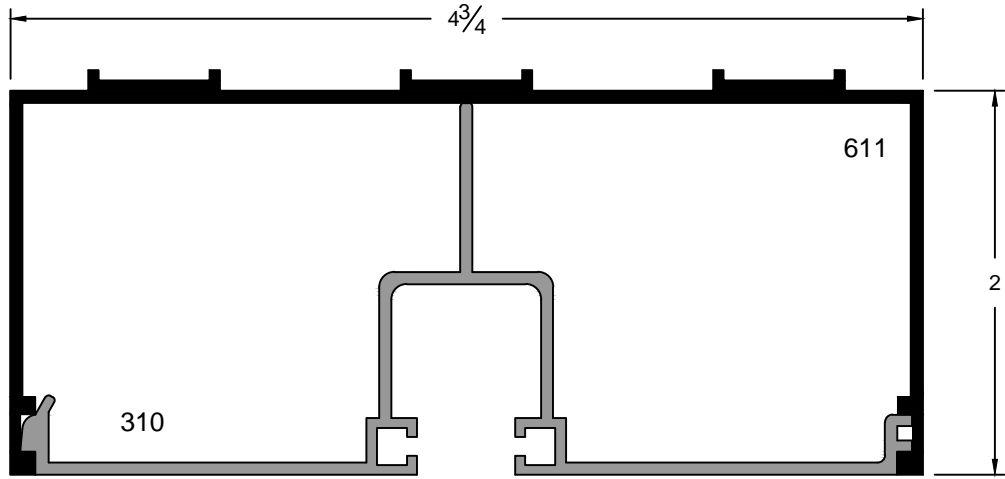


③  
Sill

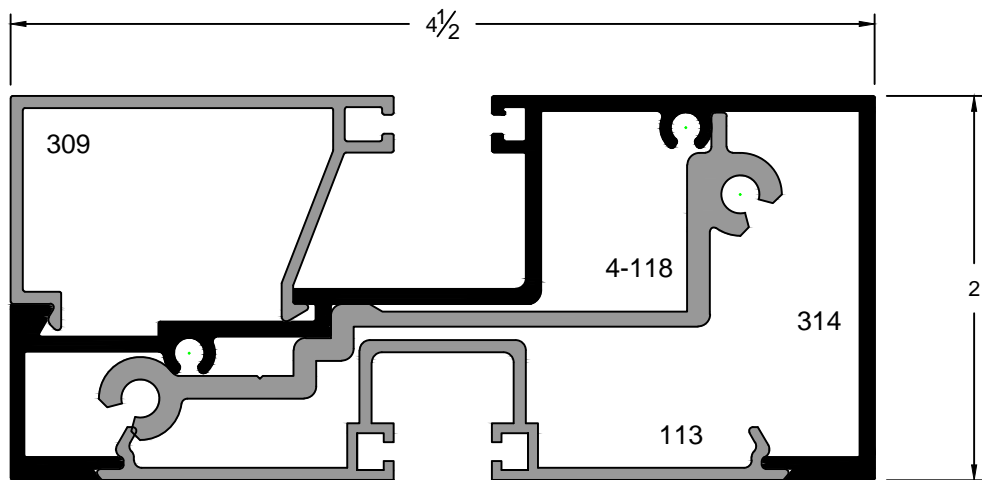




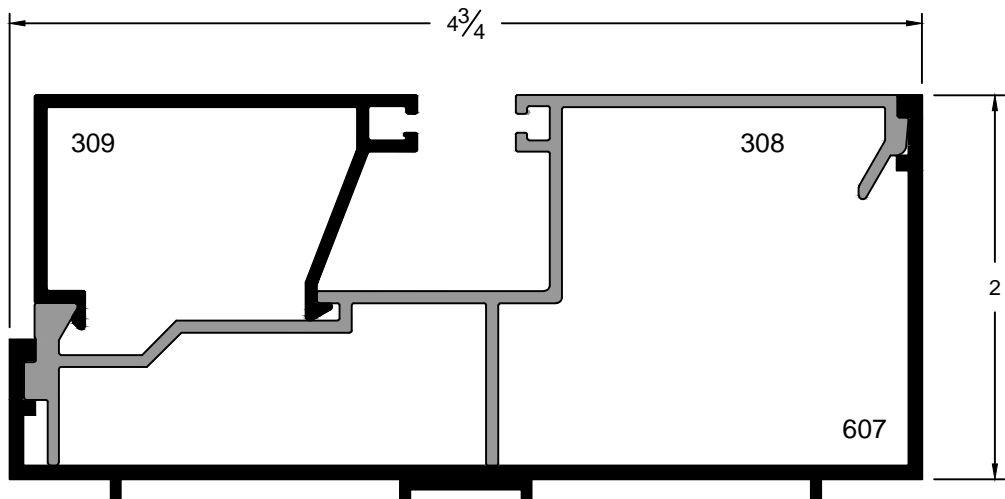




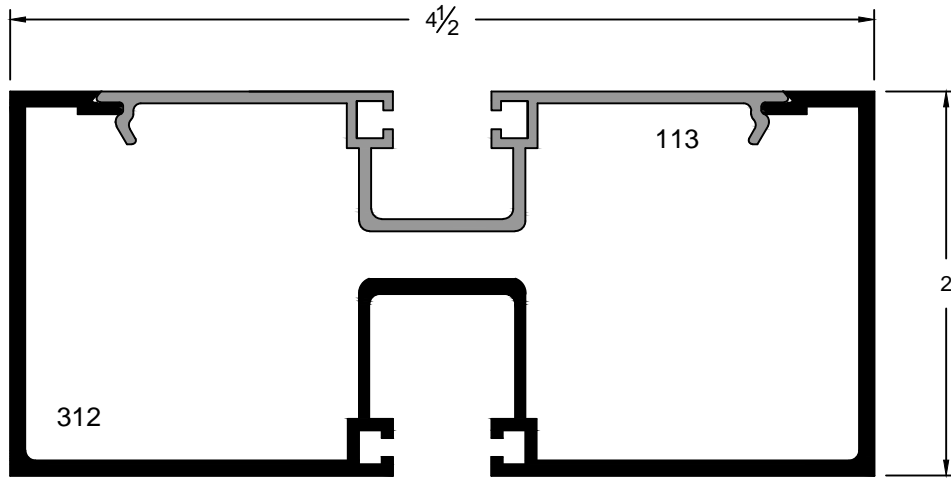
**Head Can Assembly**



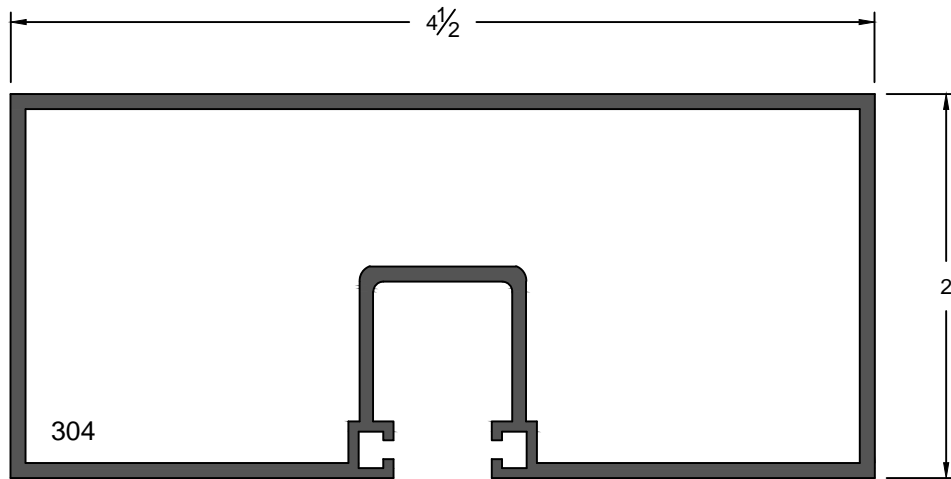
**Horizontal Assembly**



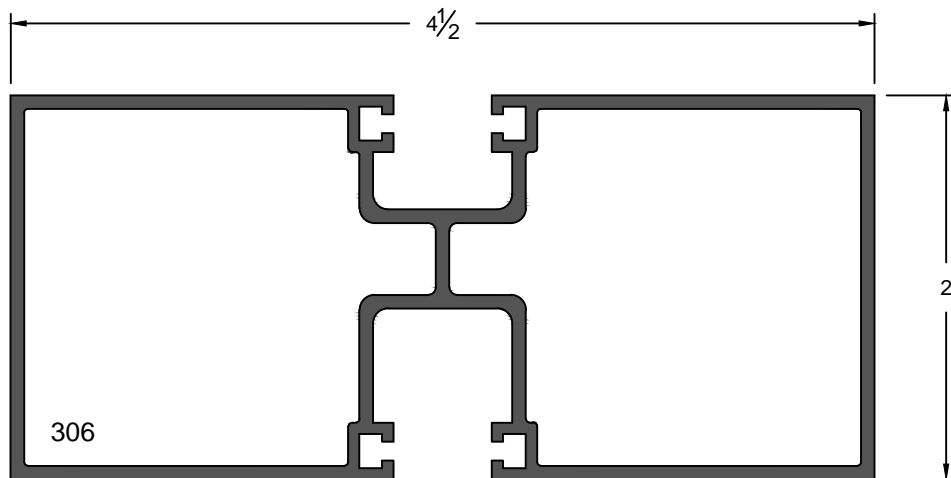
**Sill Can Assembly**



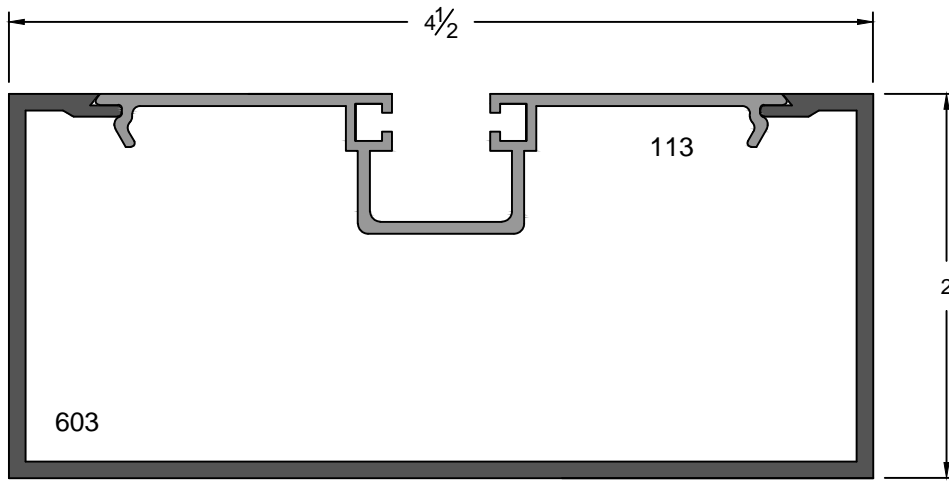
**Wall Jamb Assembly**



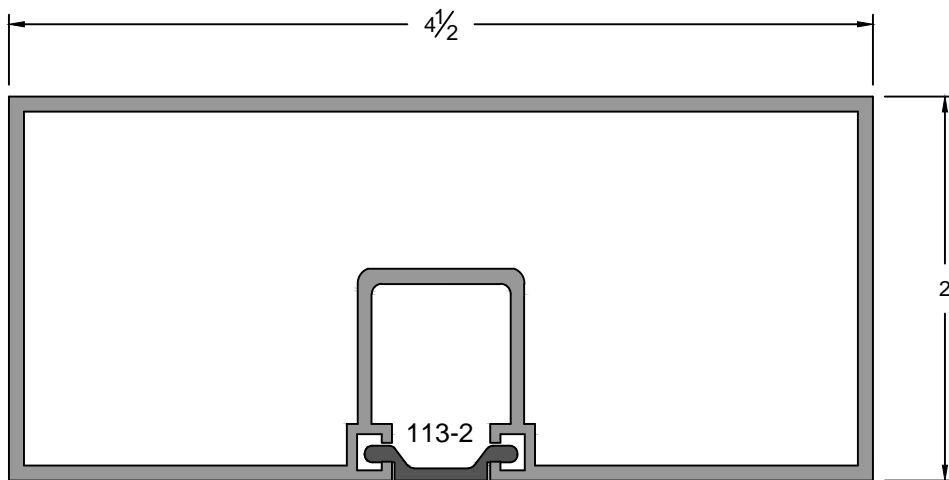
**Vertical**



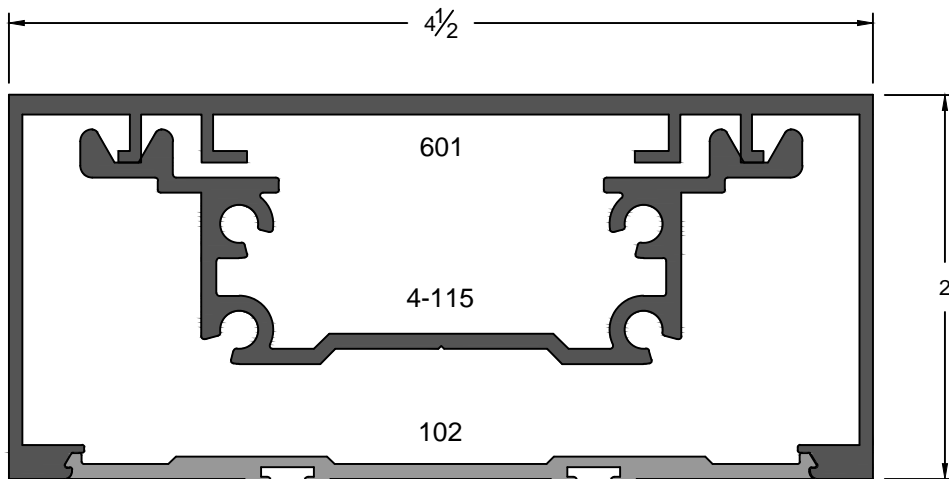
**Intermediate Vertical**



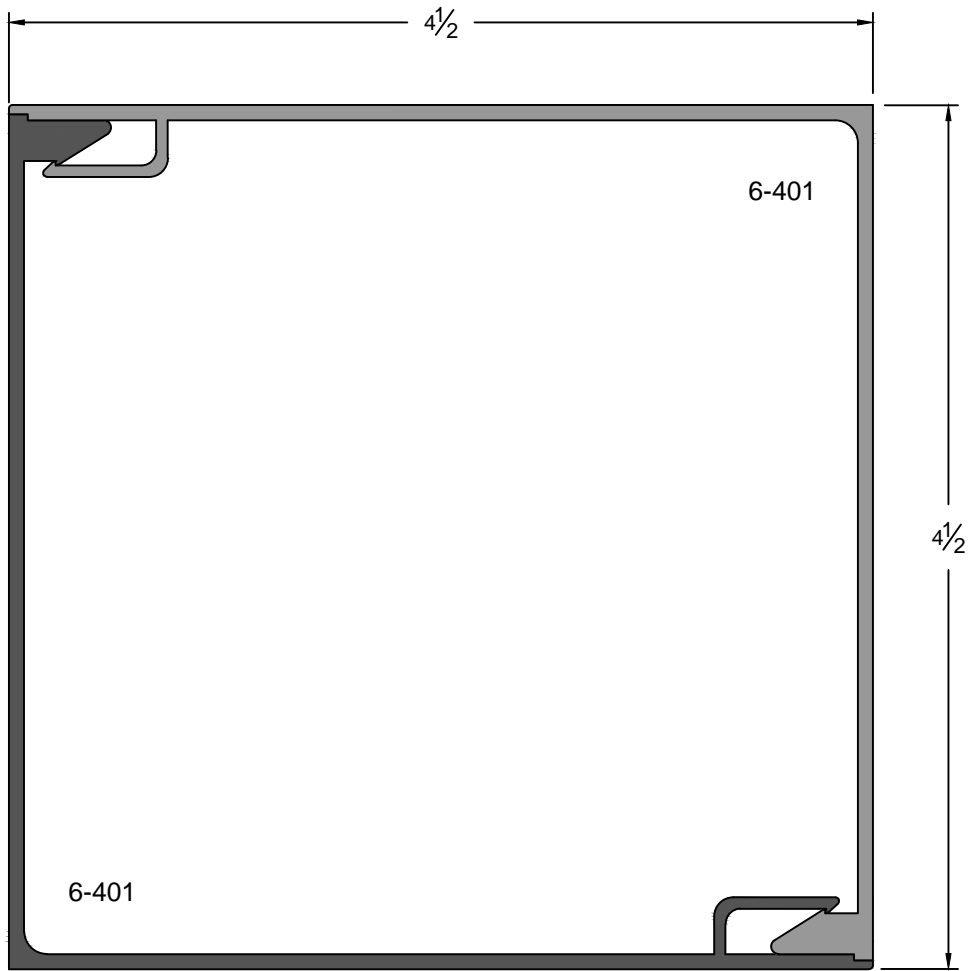
**Door Jamb Assembly**



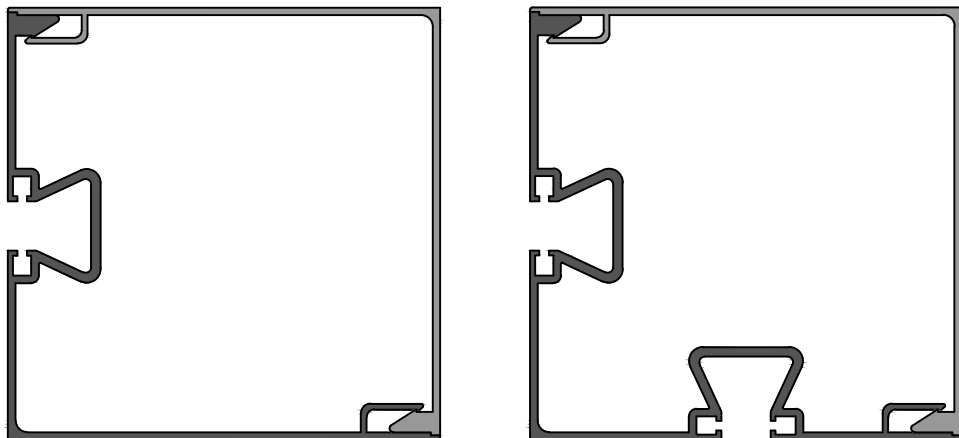
**Pocket Filler**



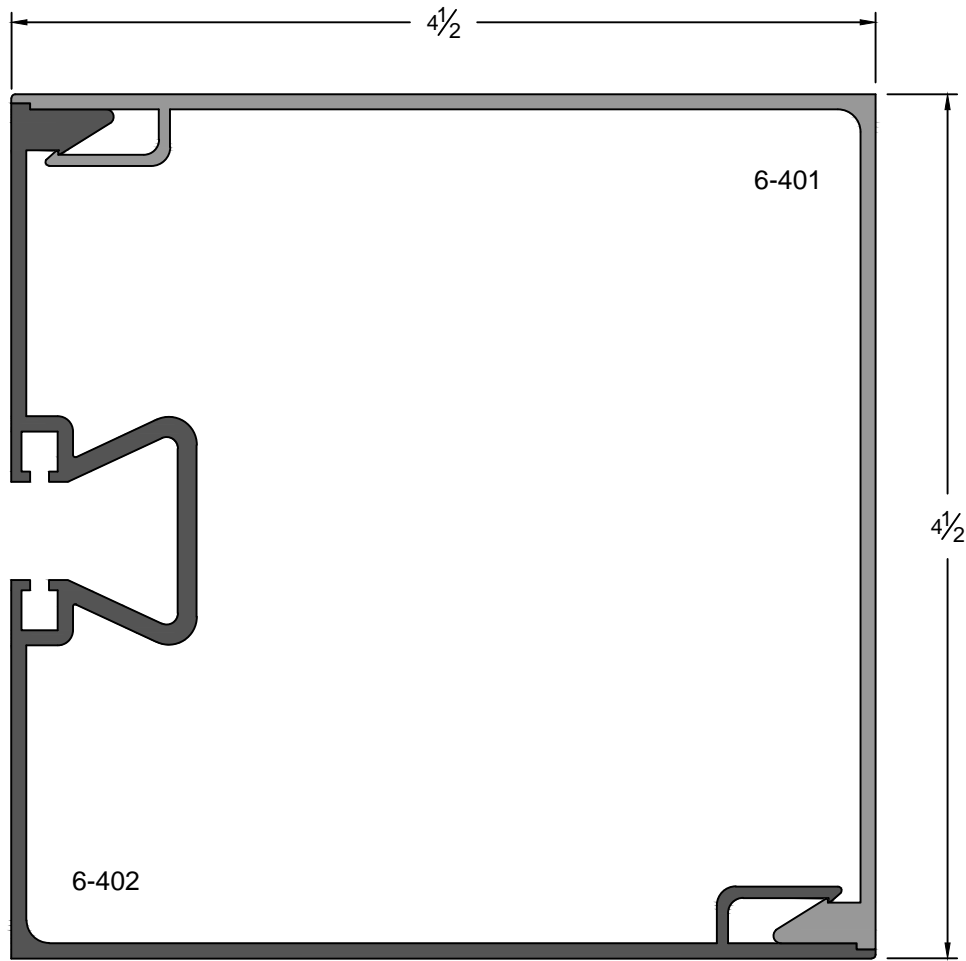
**Header Assembly**



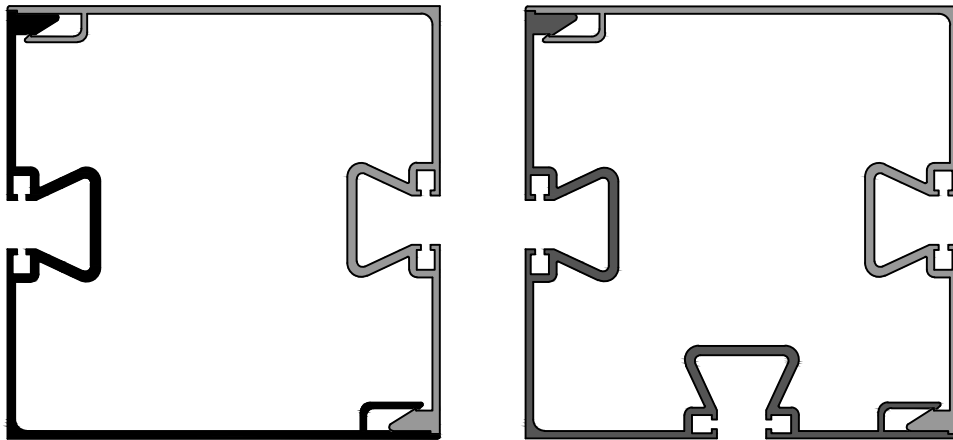
**Corner Post Assembly  
(No Pocket + No Pocket)**

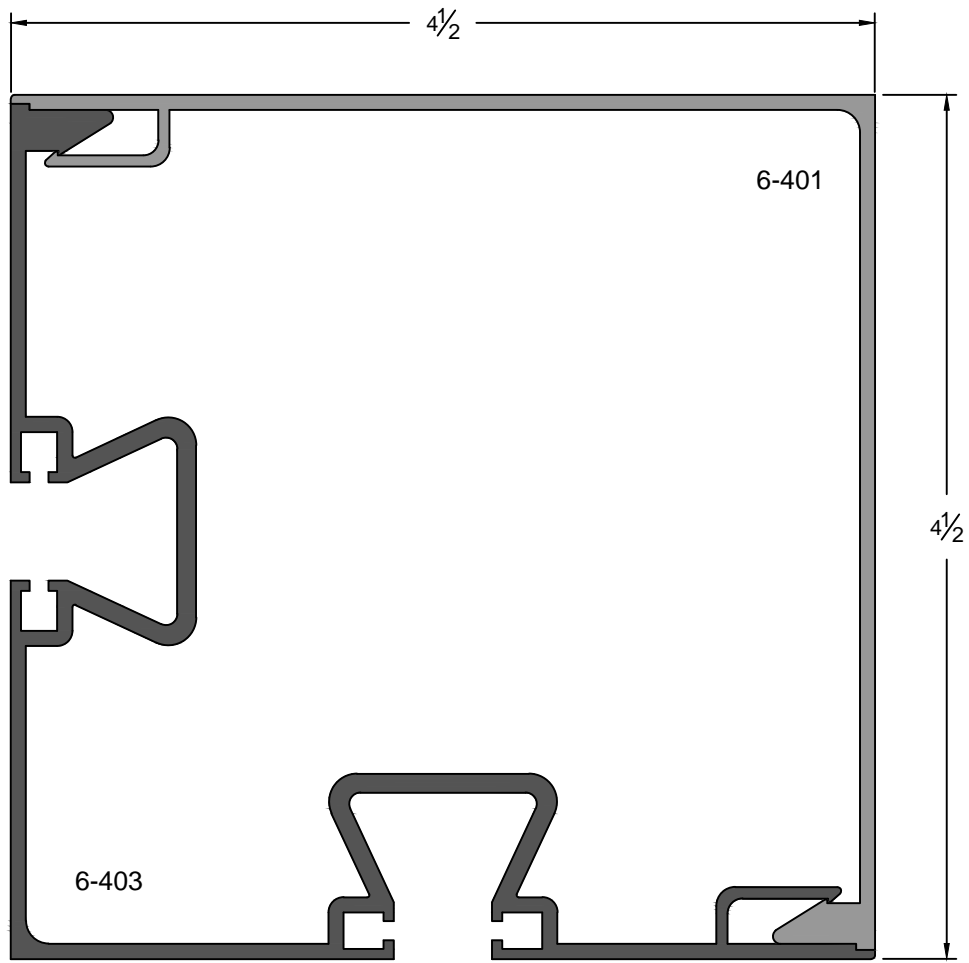






**Corner Post Assembly  
(No Pocket + One Pocket)**





**Corner Post Assembly  
(No Pocket + Two Pocket)**

