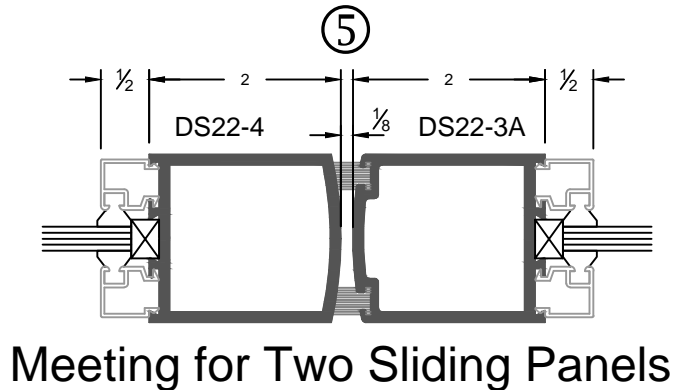
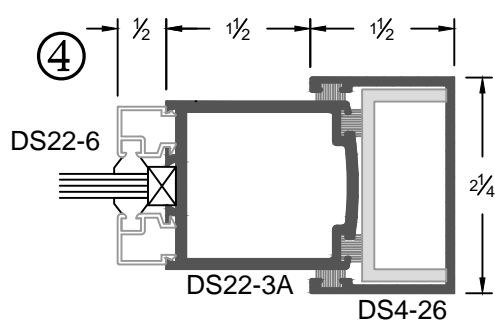
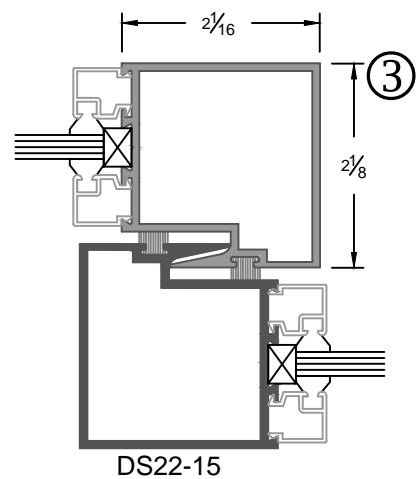
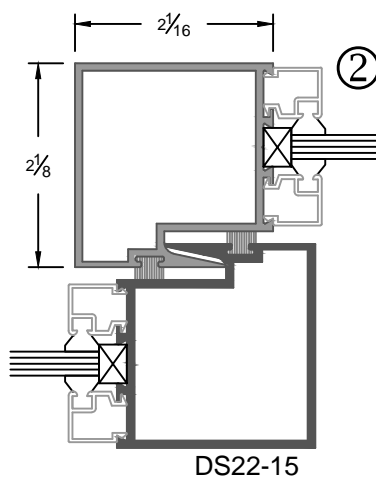
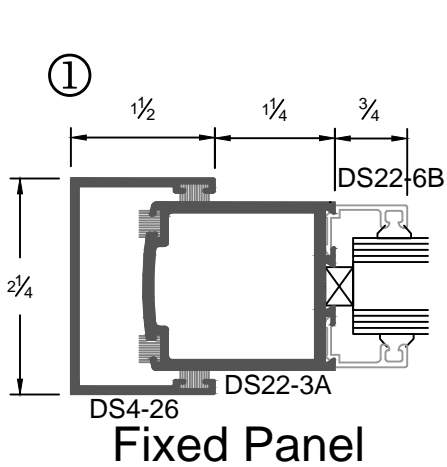
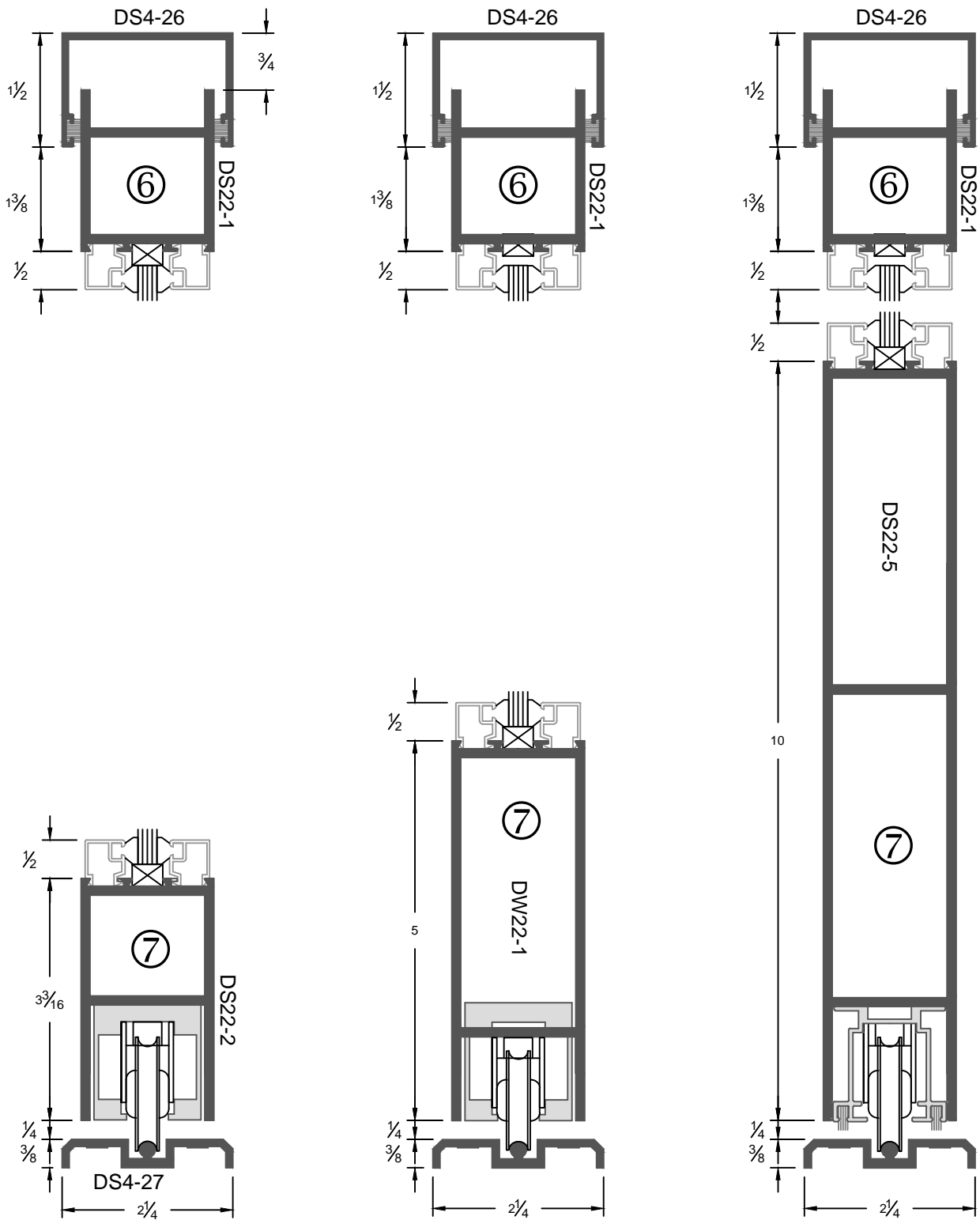


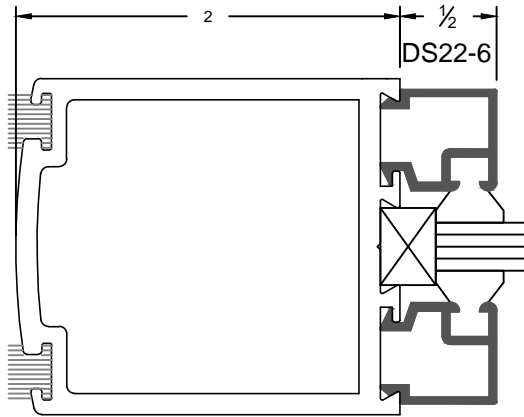
Optional Glass Stop for 1/4" or 1" Glass

Optional Muntin (9/16" up to 10")

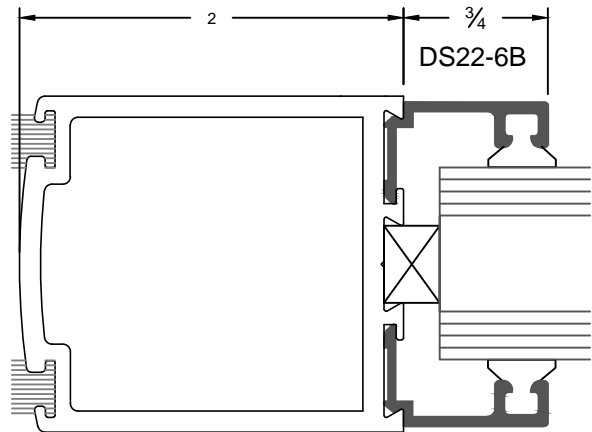




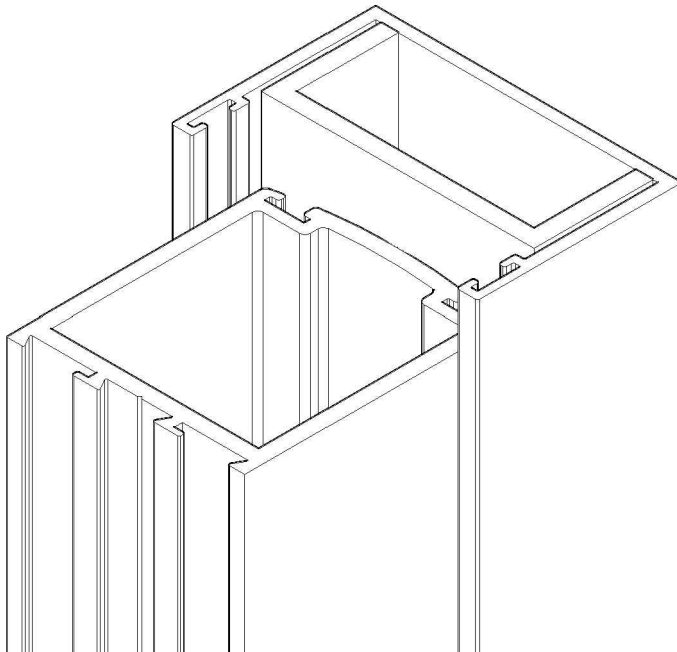
Top and Bottom Rails



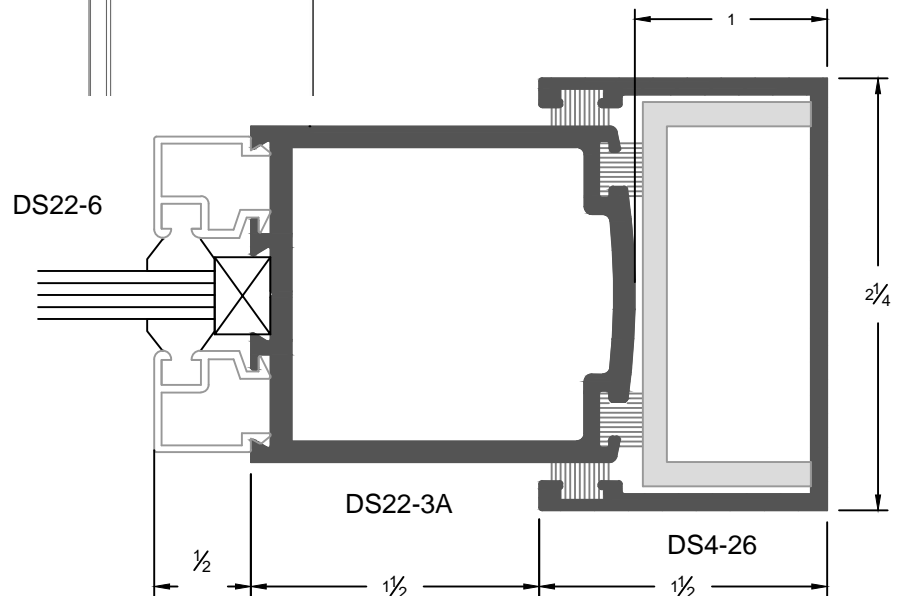
1/4" Glass Stop & Stile

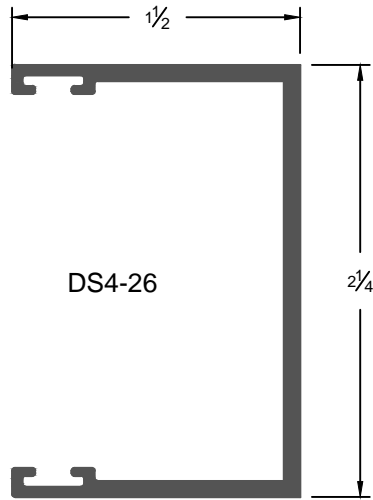


1" Glass Stop & Stile

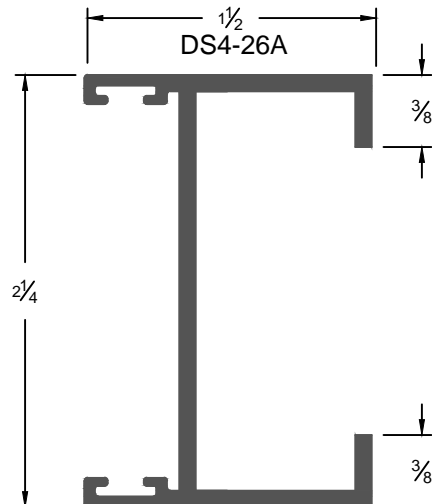


Sliding Panel / Jamb /
Locking Channel

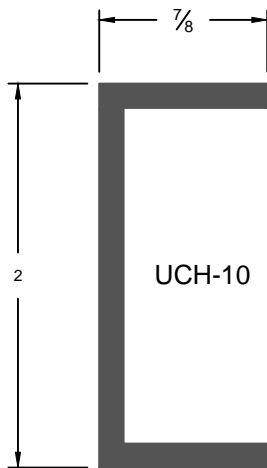




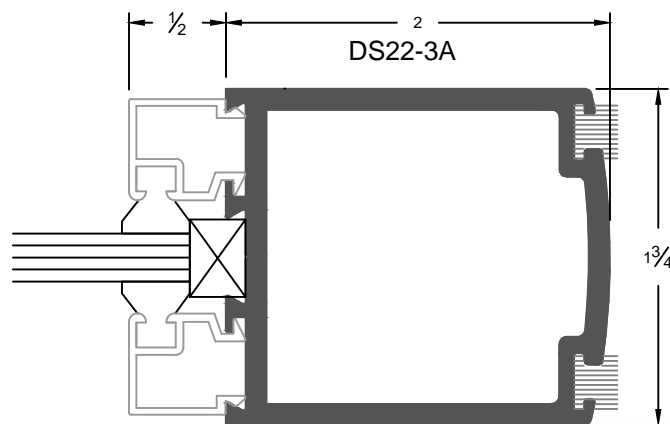
Jamb & Top Track



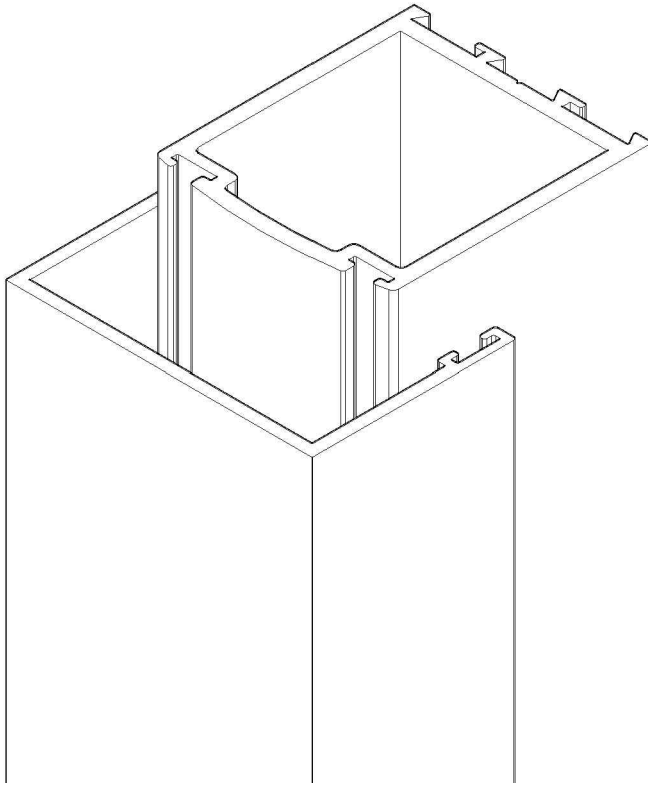
Jamb w. Locking Channel



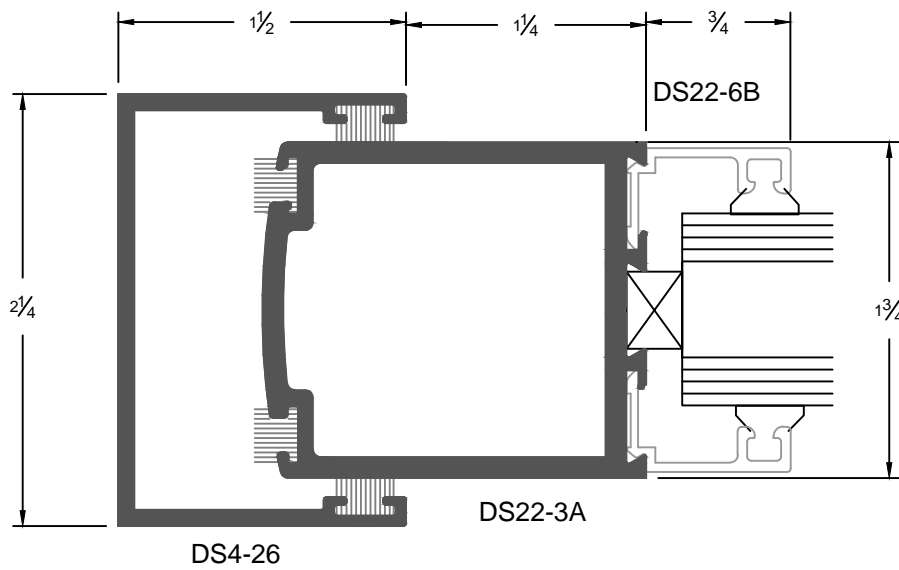
Locking Channel



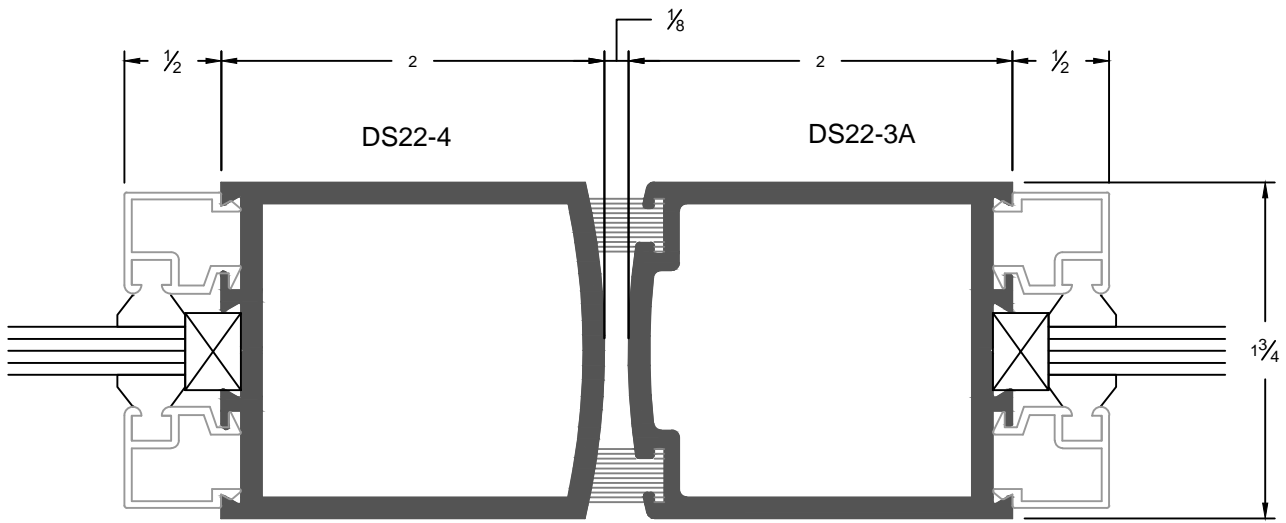
Radius w. Mohair Stile



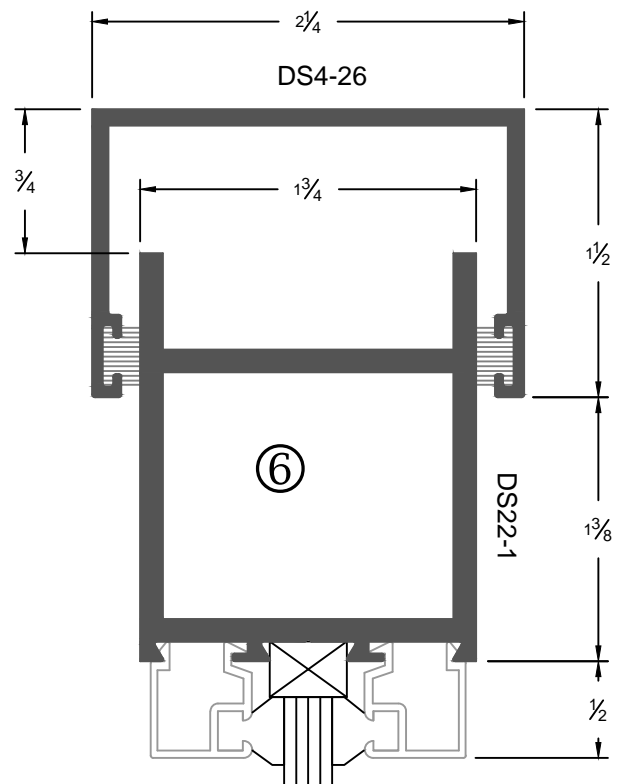
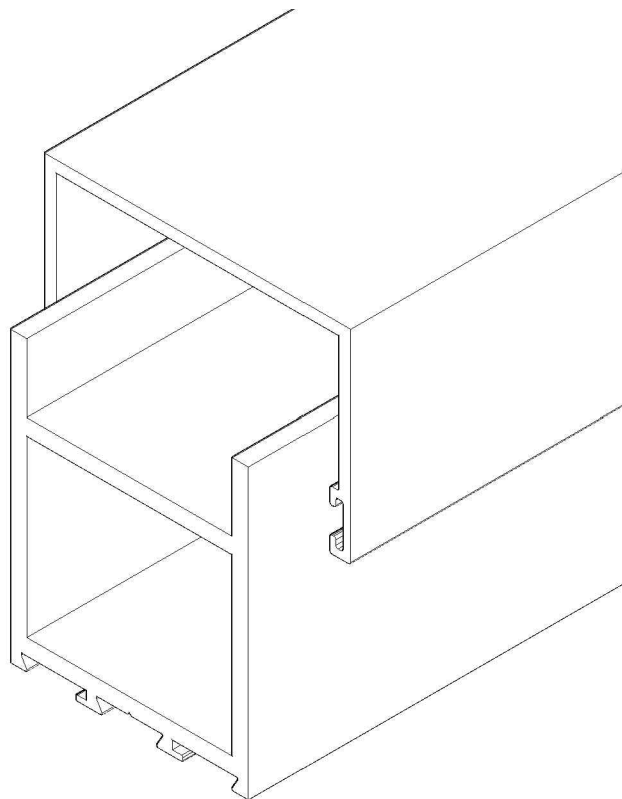
Fixed Panel & Jamb



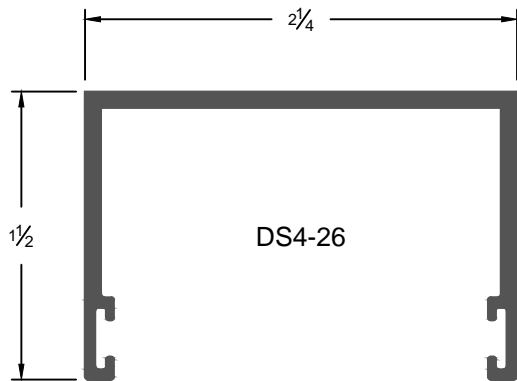
Fixed Panel



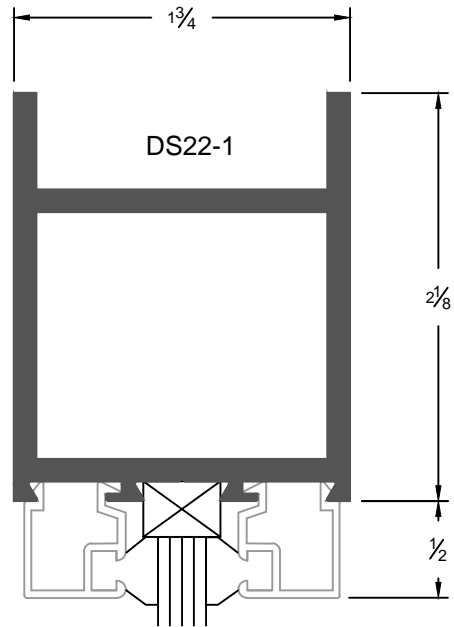
Meeting for Two Sliding Panels



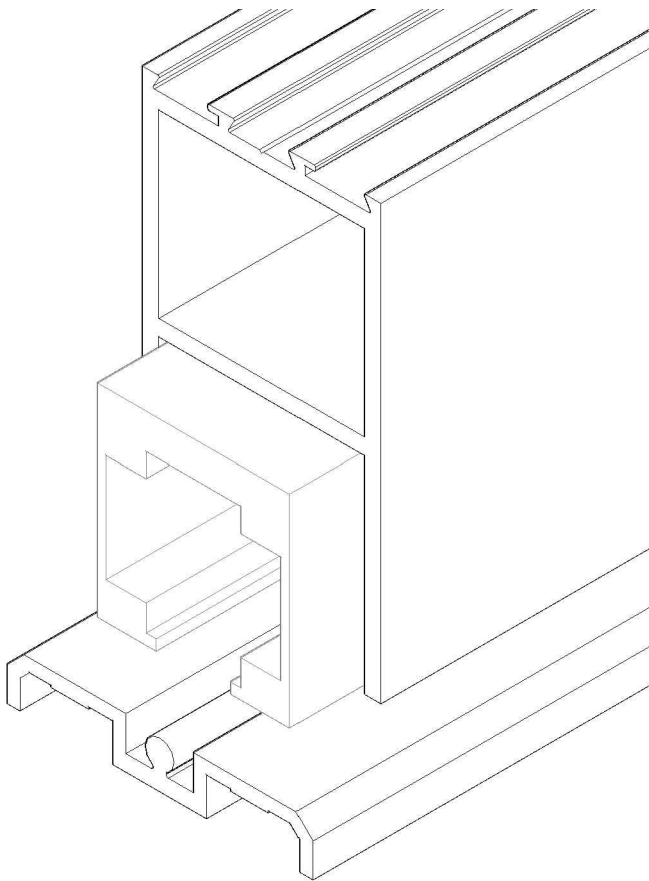
Top Track & Door Rail



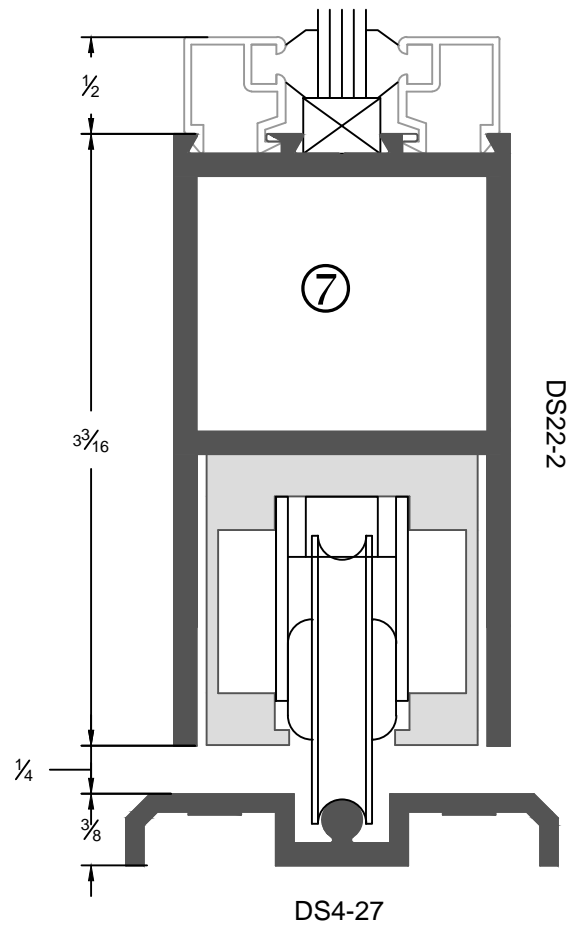
Jamb & Top Track

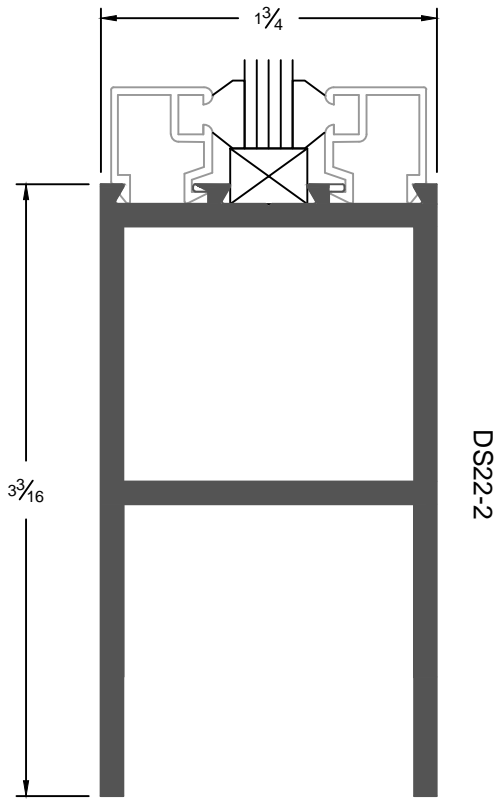


Top Rail

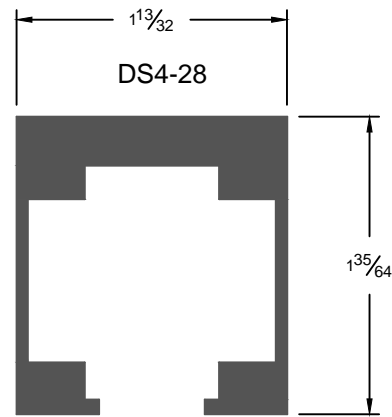


Bottom Roller Track / Rail /
Roller Guard w/o Mohair

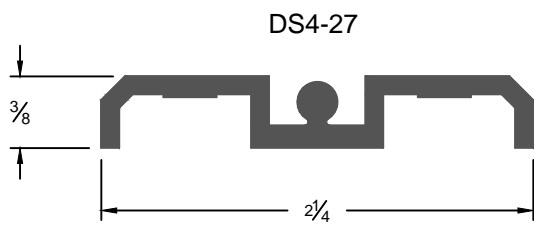




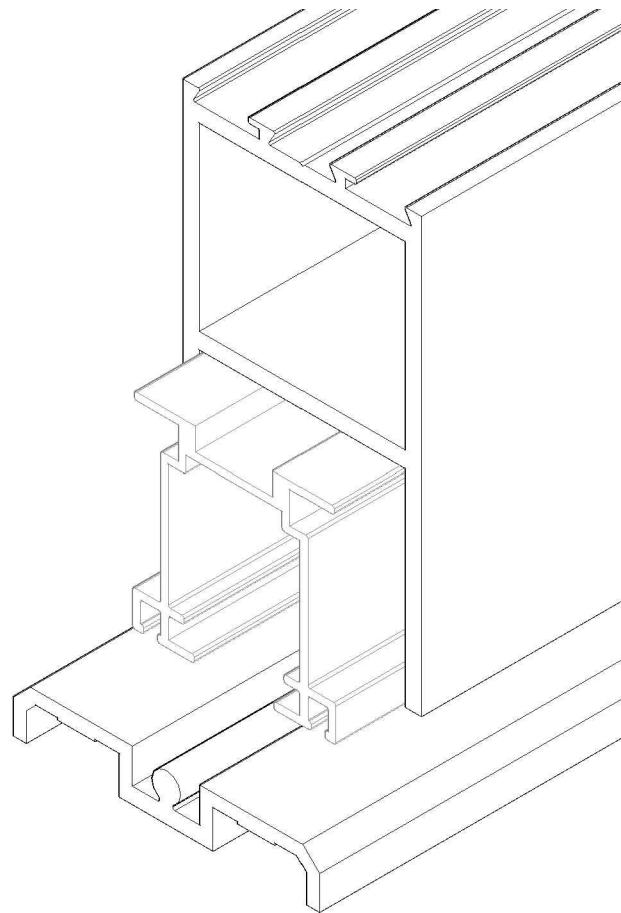
Bottom Rail

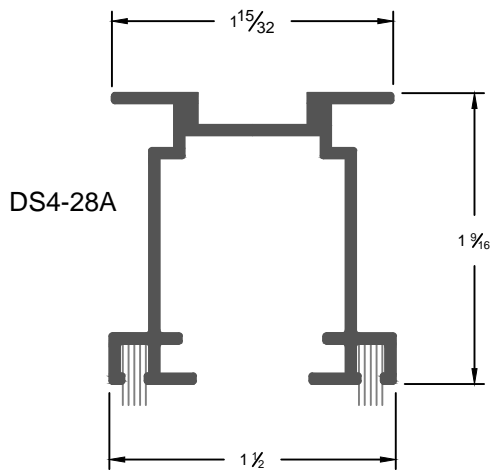
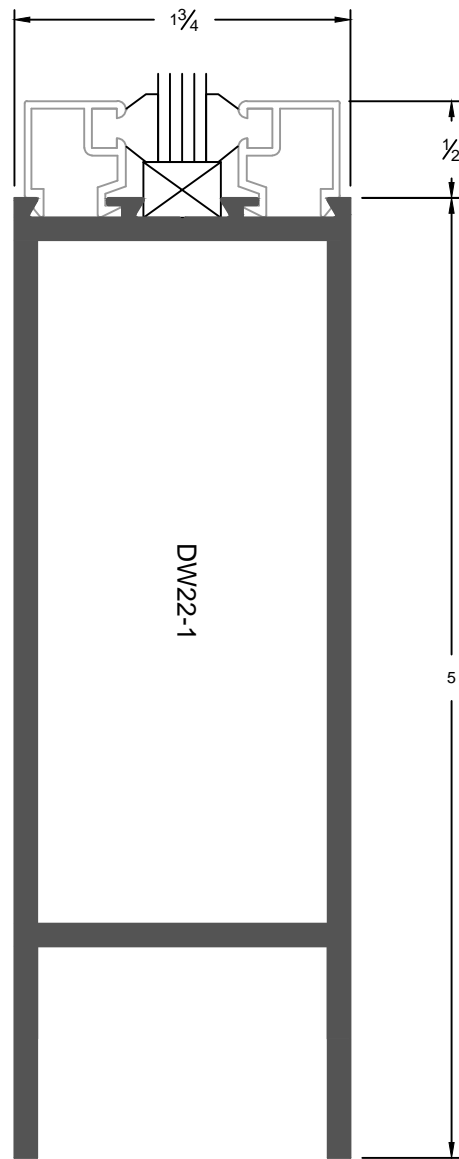
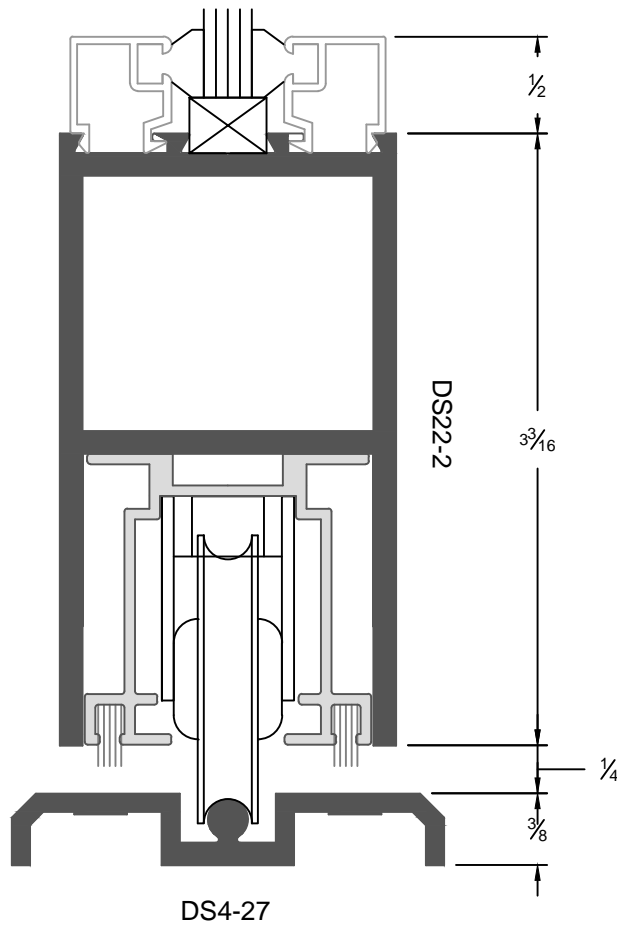


Bottom Roller Guard



Bottom Roller Track





Roller Guard w. Mohair

10" Bottom Rail

