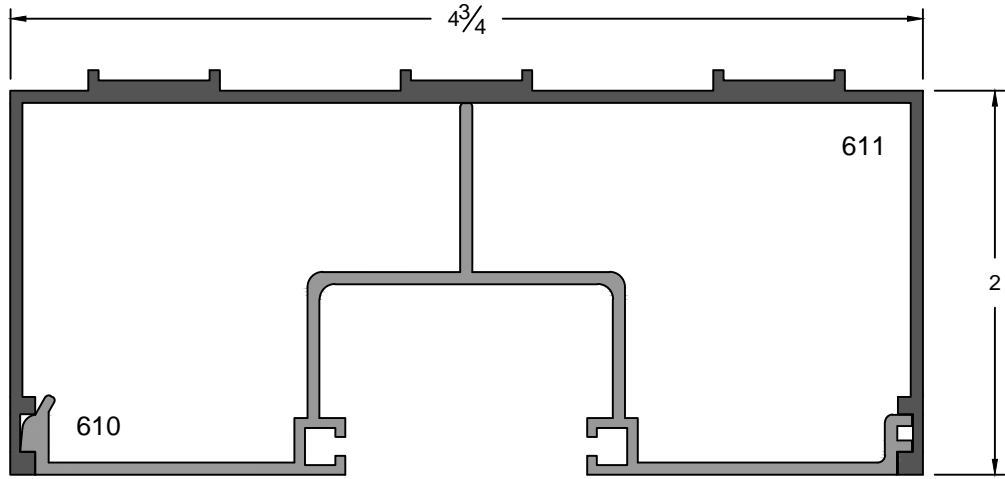
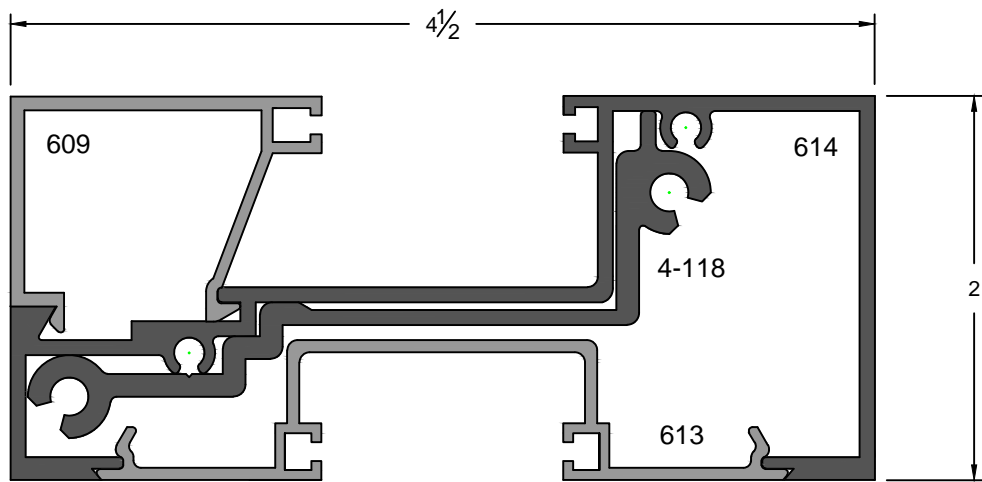


Wall Jamb

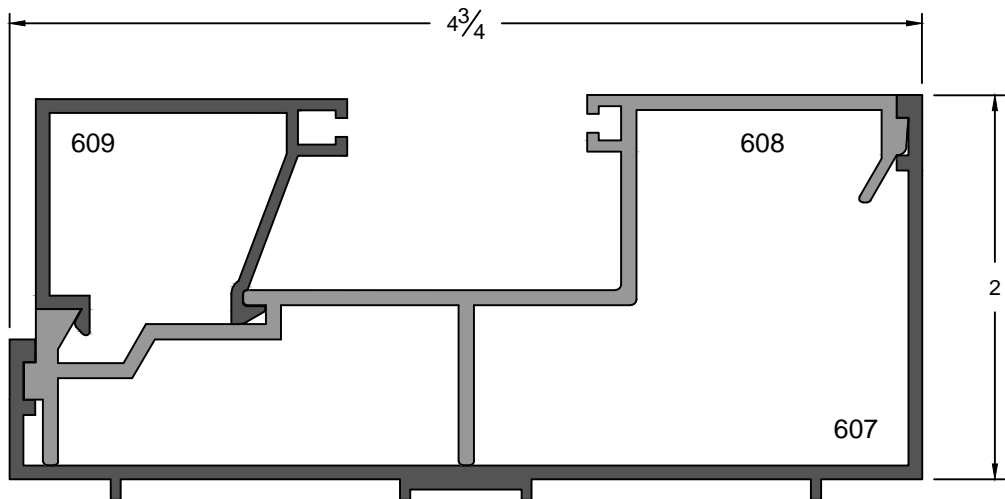
**Intermediate
Vertical**



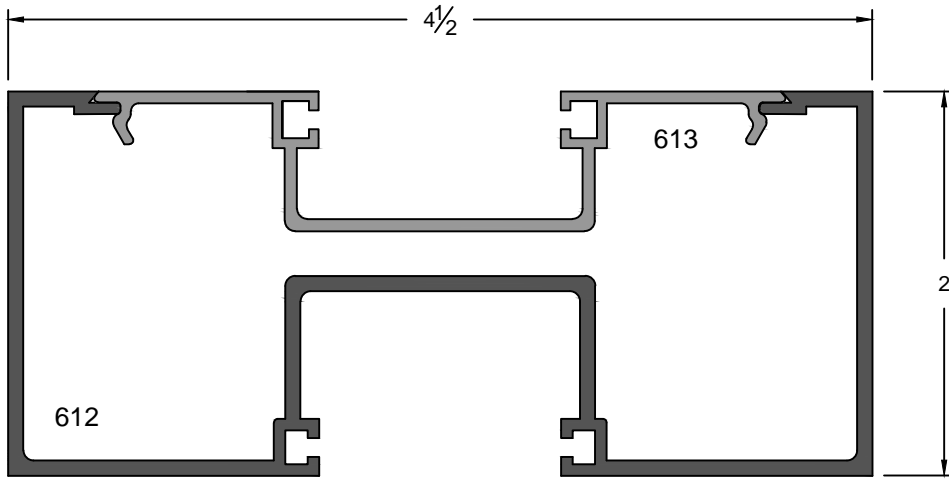
Head Can Assembly



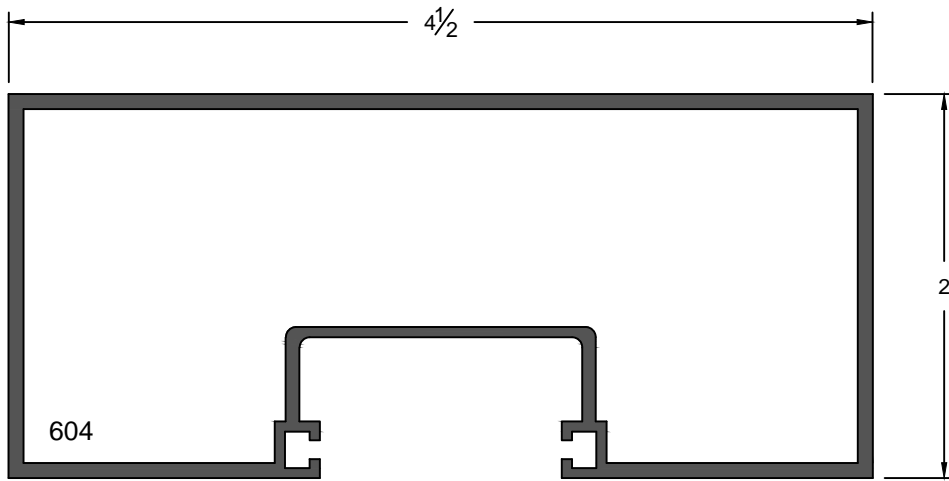
Horizontal Assembly



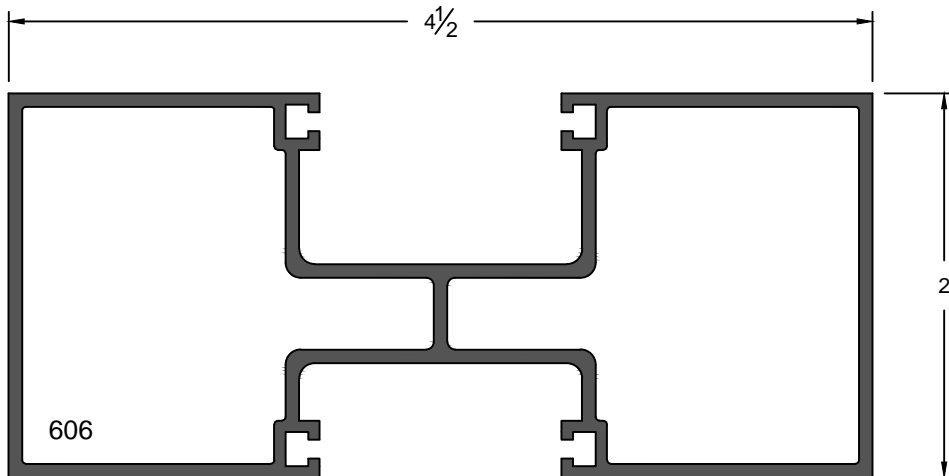
Sill Can Assembly



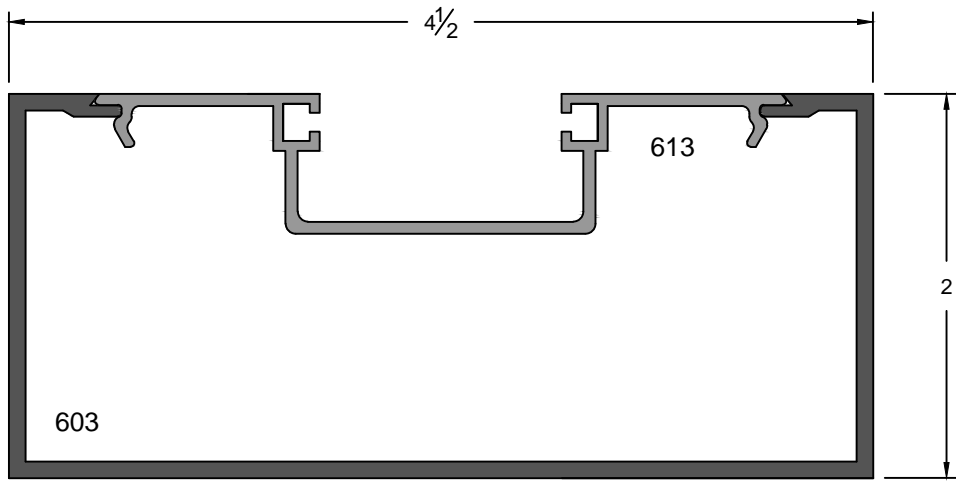
Wall Jamb Assembly



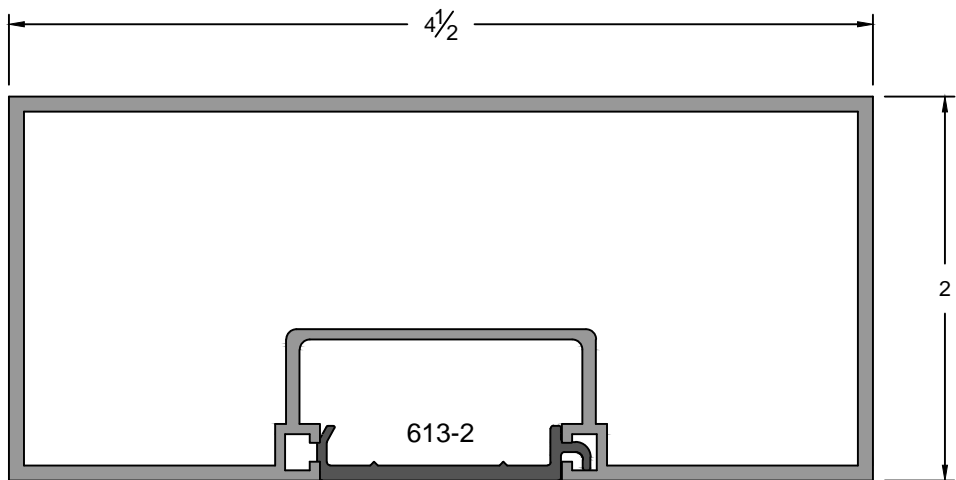
Vertical



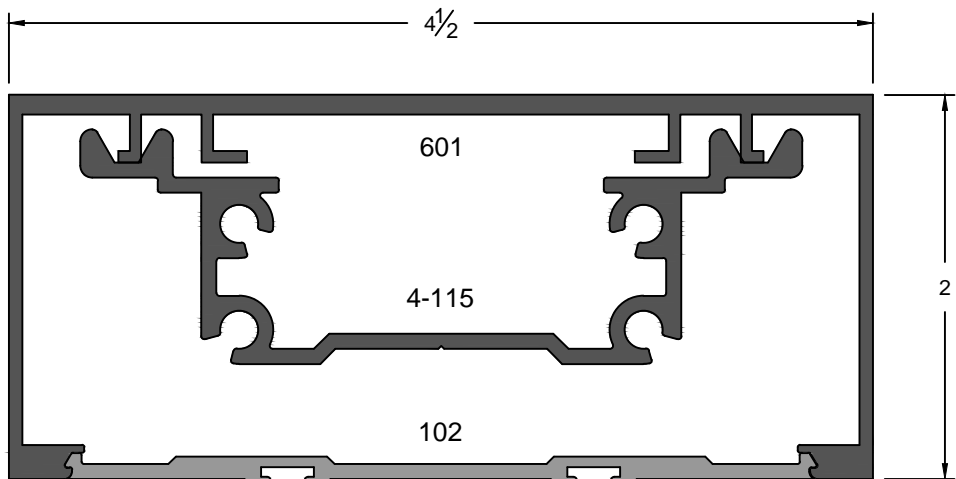
Intermediate Vertical



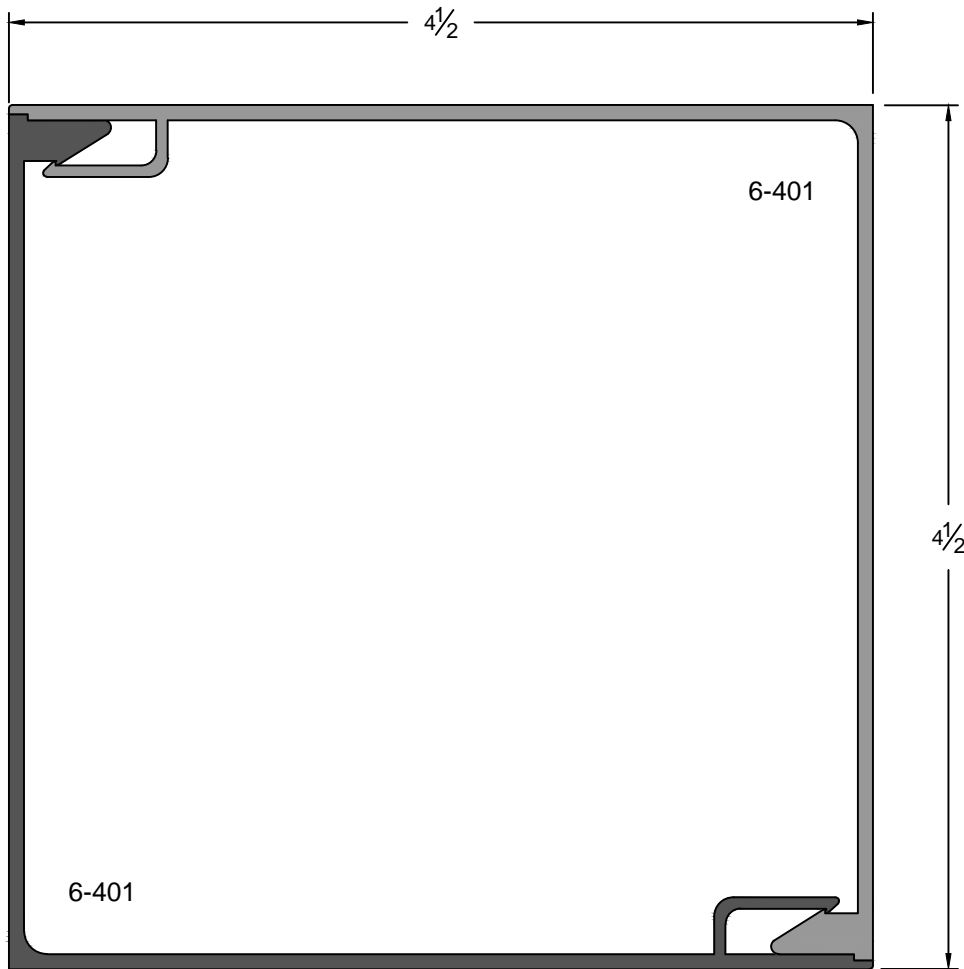
Door Jamb Assembly



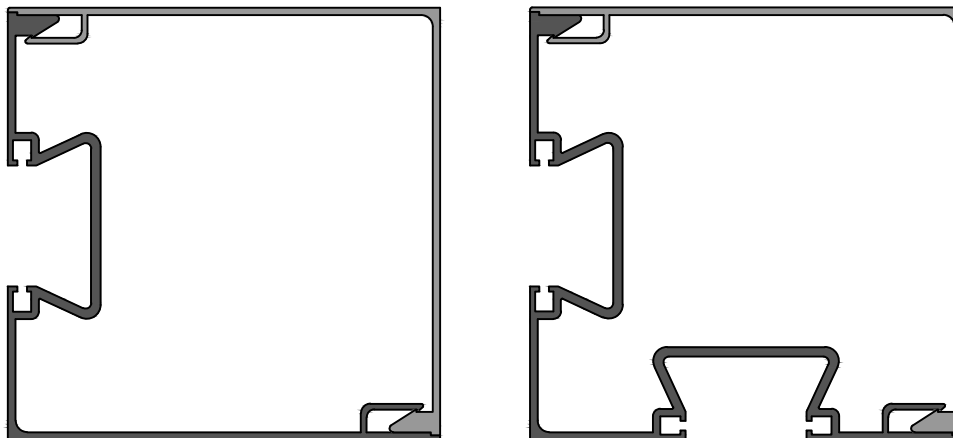
Pocket Filler

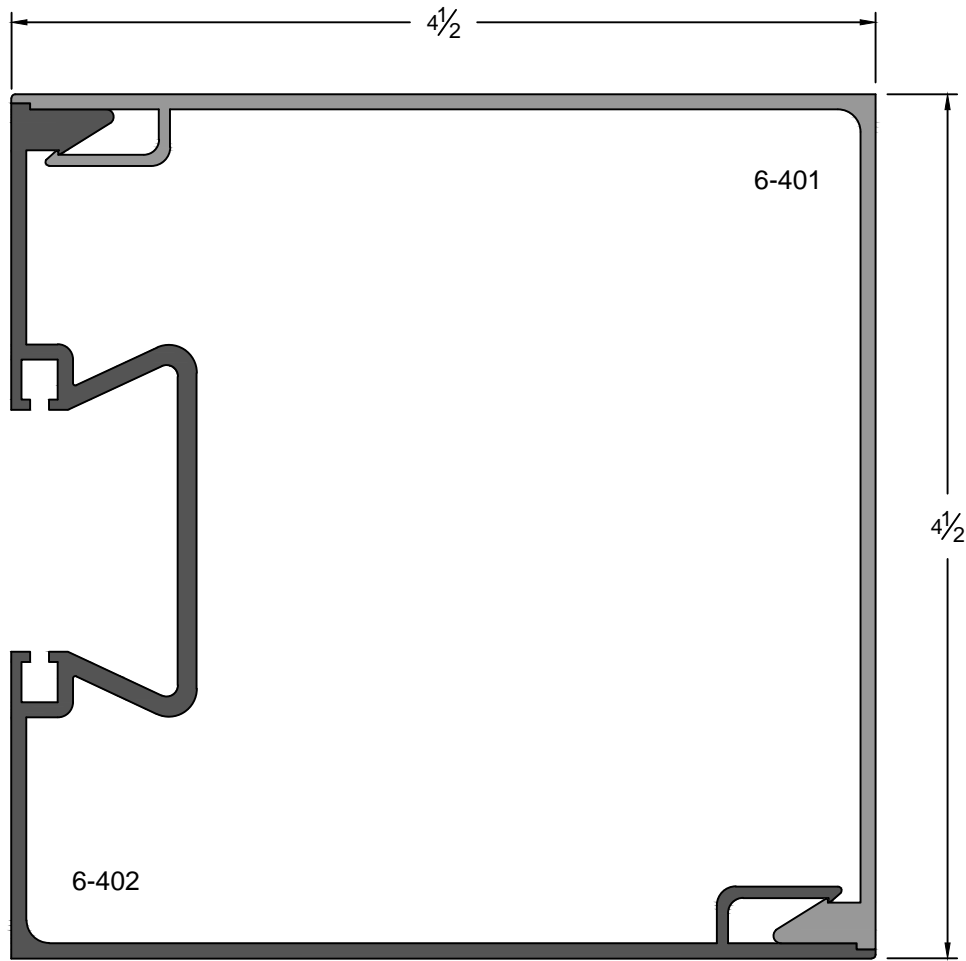


Header Assembly

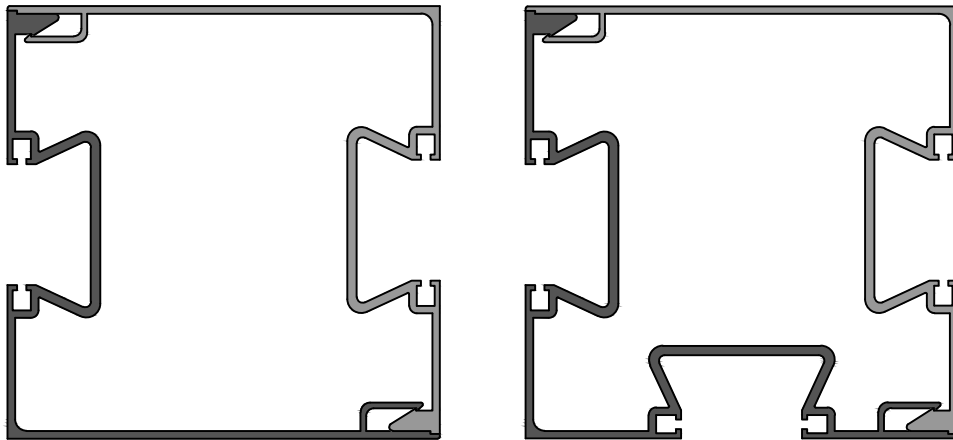


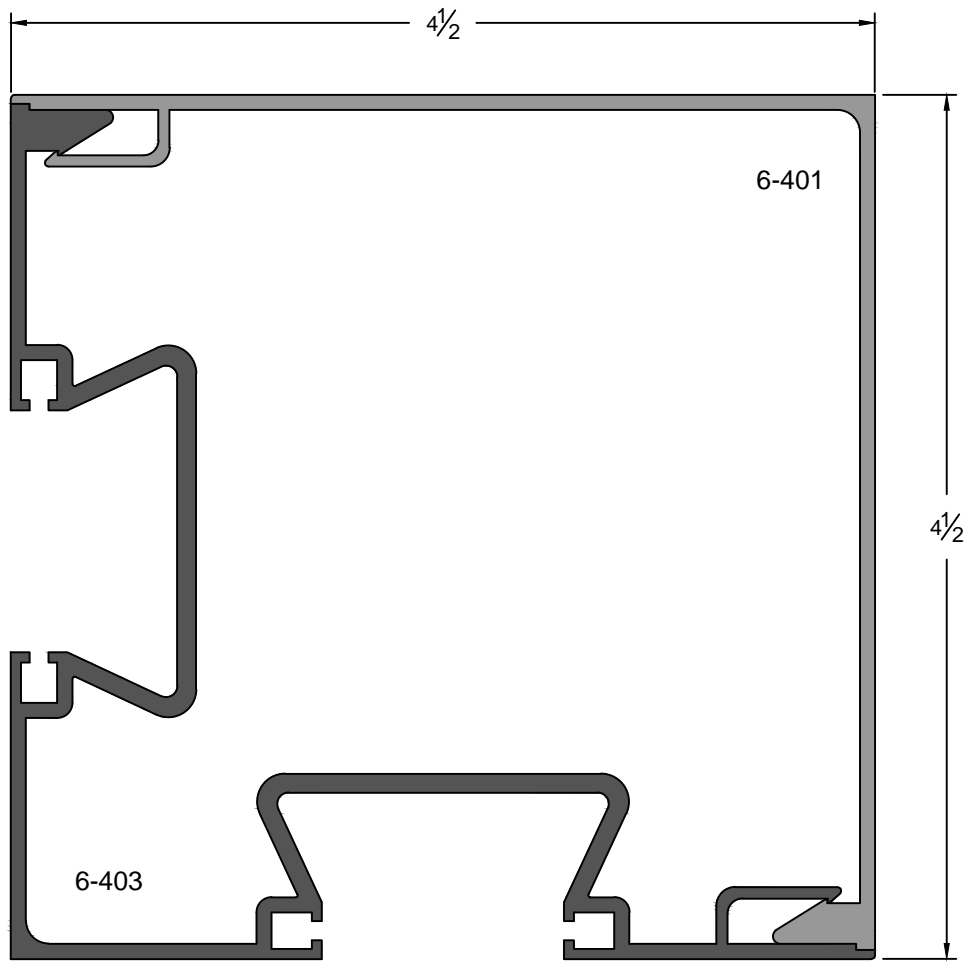
**Corner Post Assembly
(No Pocket + No Pocket)**





**Corner Post Assembly
(No Pocket + One Pocket)**





**Corner Post Assembly
(No Pocket + Two Pocket)**

