
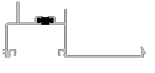



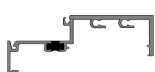




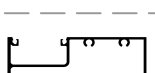





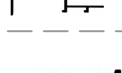
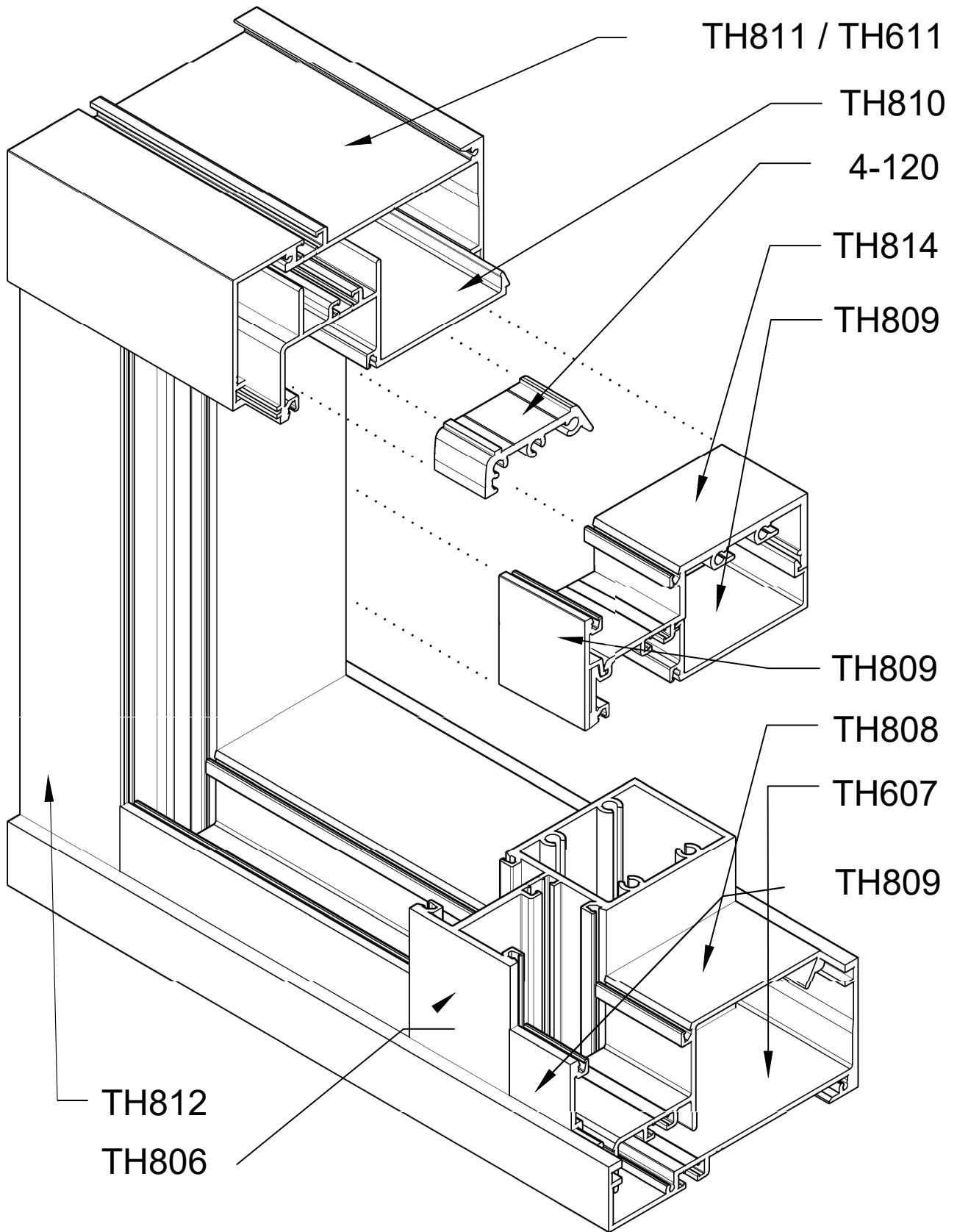


ITEM NUMBER	DRAWING	DESCRIPTION
TH811 / TH611		Head Can
TH810		Head Can Filler
TH807 / TH607		Sill Can
TH808		Sill Can Insert
TH809		Sill Can Glass Stop
TH814		Horizontal
TH809-1		Horizontal Glass Stop
TH809-2		Horizontal Insert
TH813-2		Pocket Filler
TH812		Wall Jamb
TH804		Vertical
TH806		Intermediate Vertical
113-1		Wall Jamb Flat Filler
TH803		Door Jamb
4-124		Thermal Horizontal Clip
TLSF		Top Load Sash Face
TLSB		Top Load Sash Base

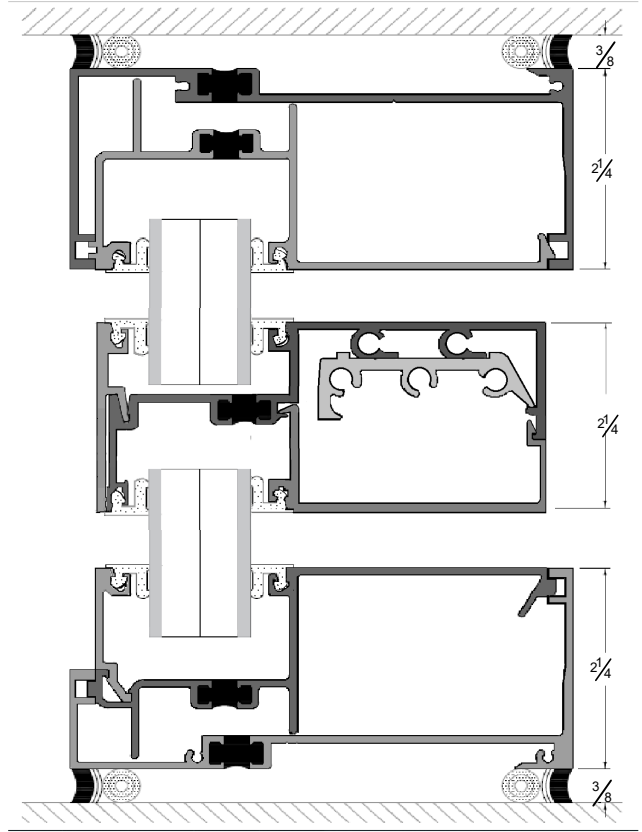
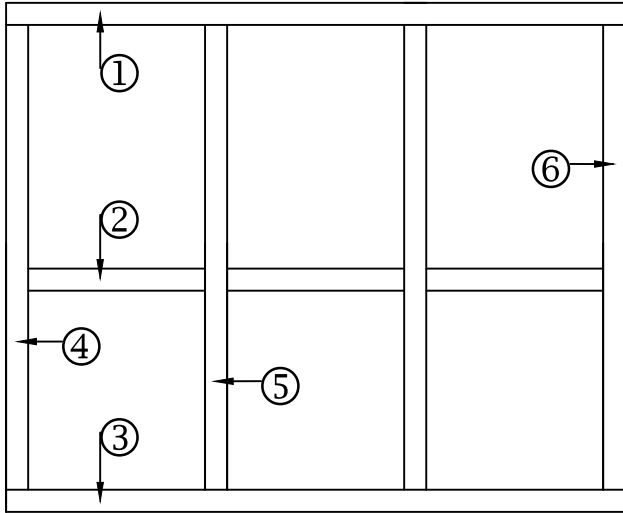
**TH800 SERIES**

2 1/4" x 4 1/2" x 1" OFFSET THERMALLY BROKEN

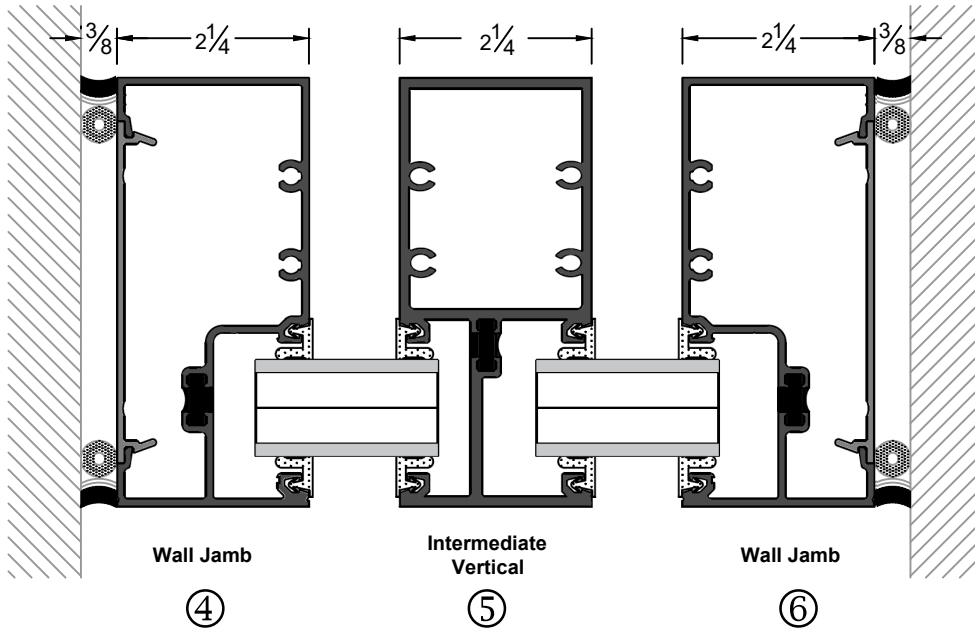


**TH800 SERIES**

2 1/4" x 4 1/2" x 1" OFFSET THERMALLY BROKEN

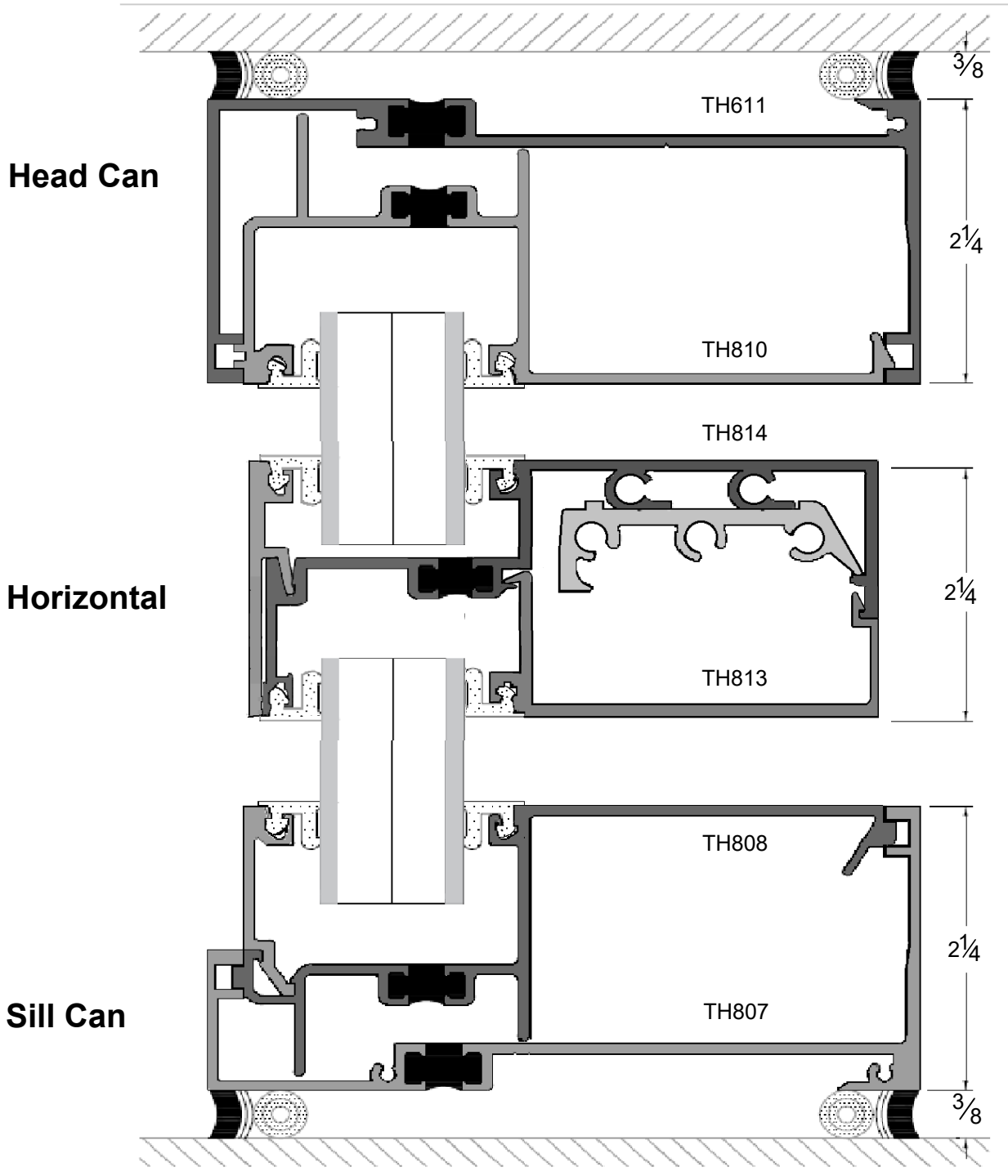


- ①  
Head
- ②  
Horizontal
- ③  
Sill



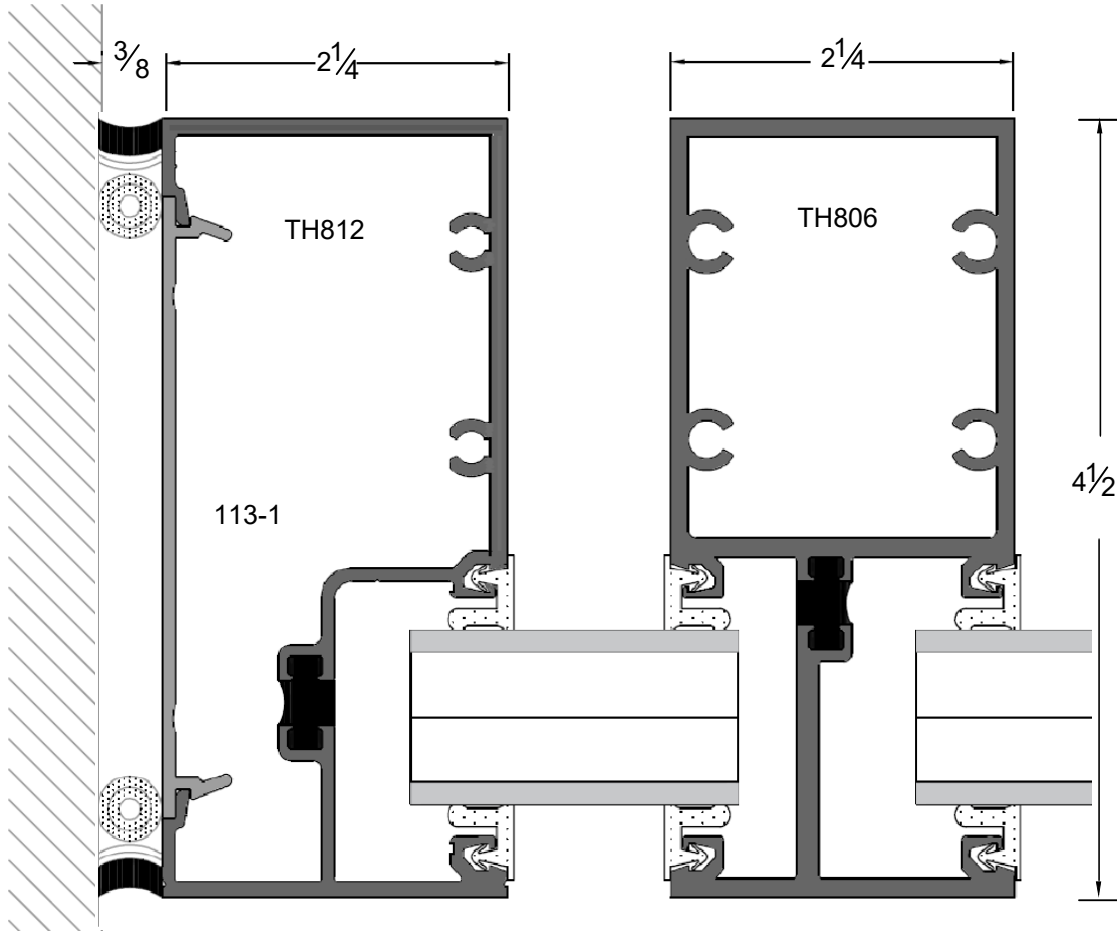
**TH800 SERIES**

2 1/4" x 4 1/2" x 1" OFFSET THERMALLY BROKEN



**TH800 SERIES**

2 1/4" x 4 1/2" x 1" OFFSET THERMALLY BROKEN

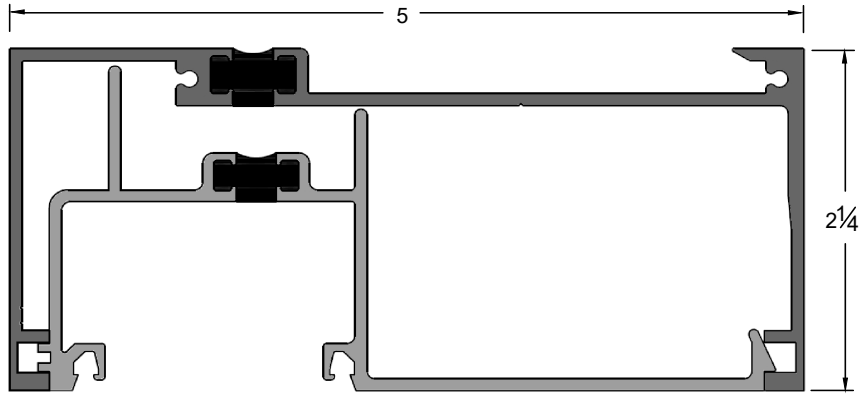


**Wall Jamb**

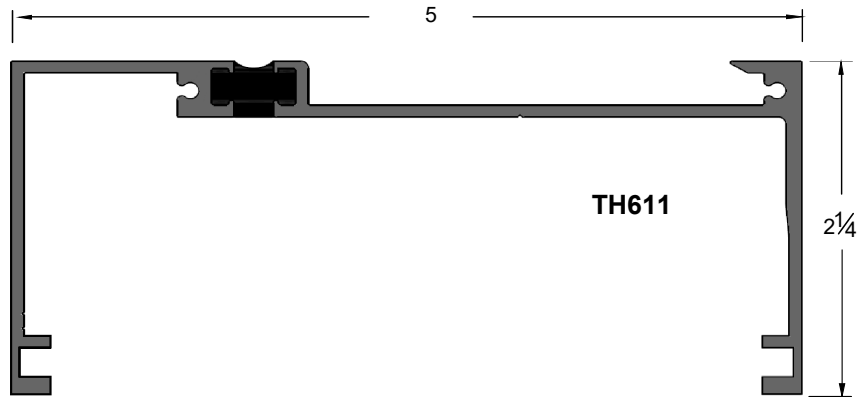
**Intermediate  
Vertical**

**TH800 SERIES**

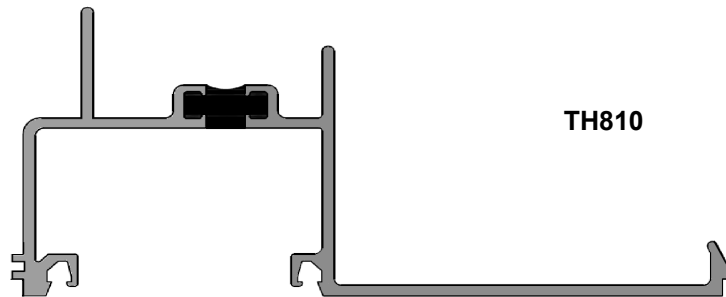
2 1/4" x 4 1/2" x 1" OFFSET THERMALLY BROKEN



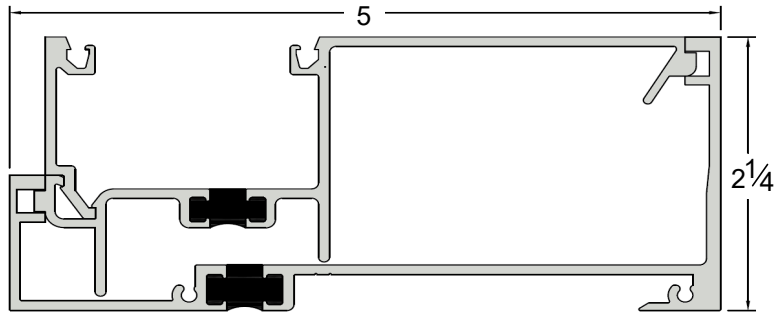
**Head Can Assembly**



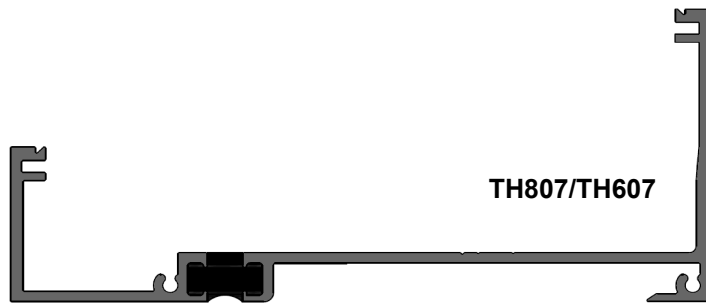
**Head Can**



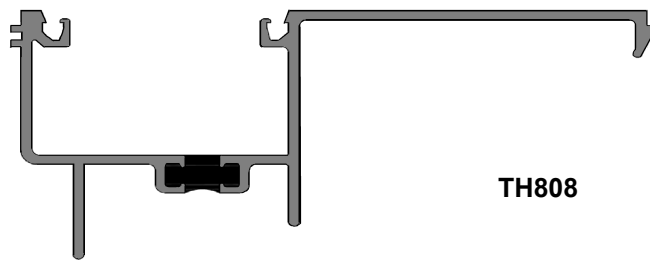
**Head Can Filler**



**Sill Can Assembly**



**Sill Can**



**Sill Can Insert**

**TH800 SERIES**

2 1/4" x 4 1/2" x 1" OFFSET THERMALLY BROKEN

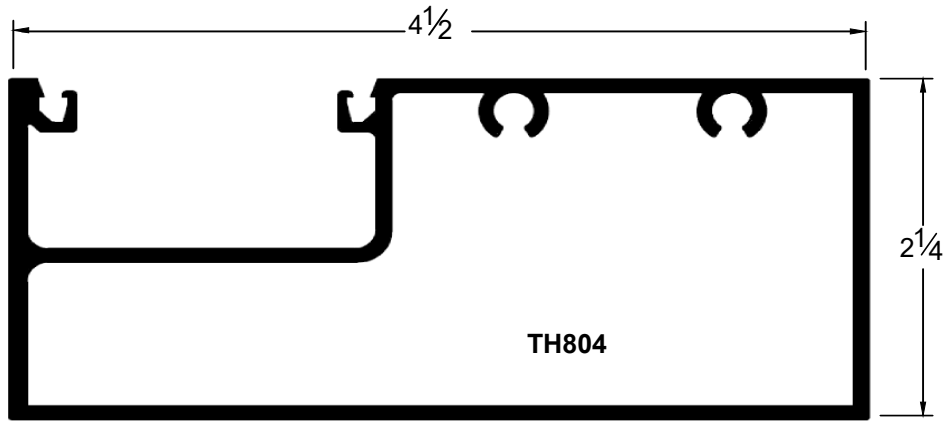


**Clip**

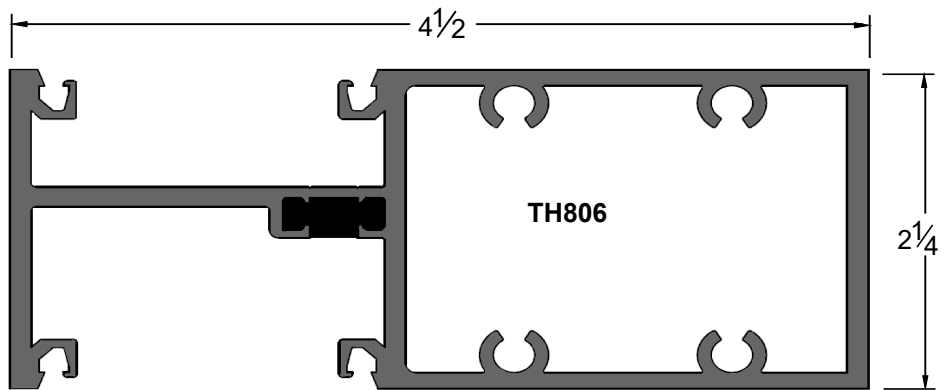


**TH809-1**

**Horizontal Glass Stopper**

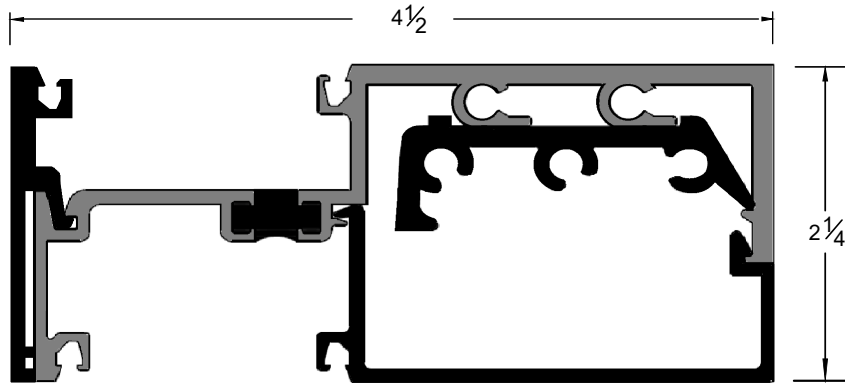


**Vertical**

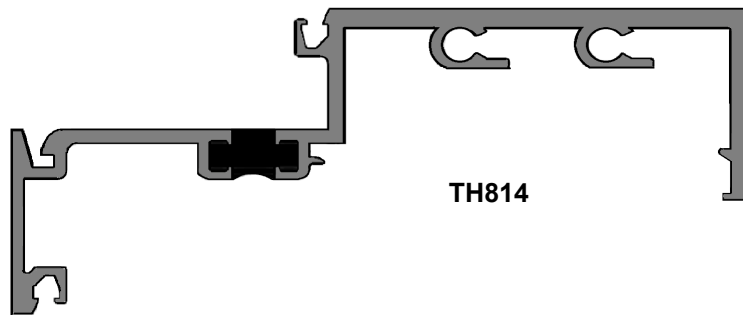


**Intermediate Vertical**





**Horizontal Assembly**



**Horizontal**



**Horizontal Insert**

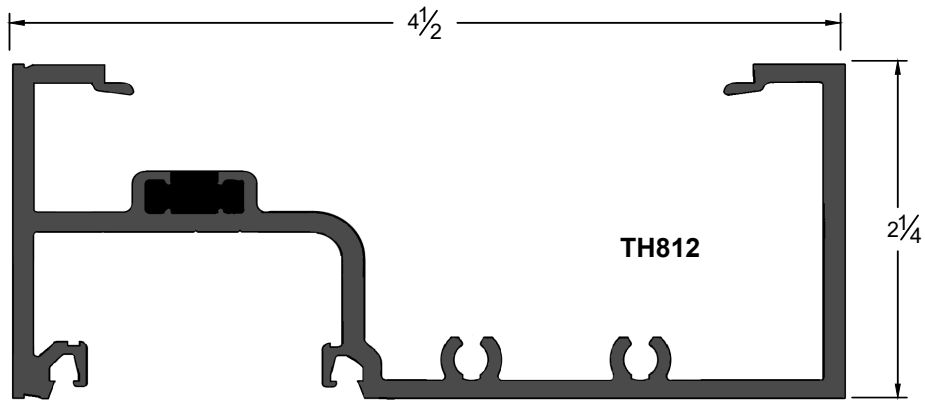


**Pocket Filler**

TH813-2



**Thermal Block**

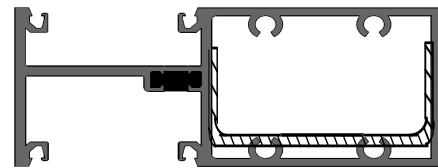
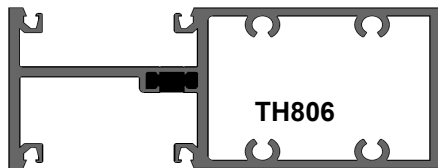
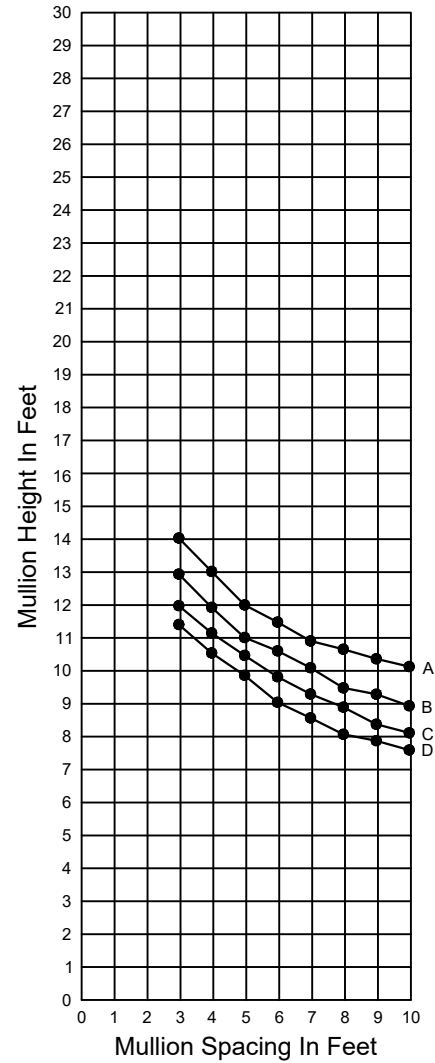
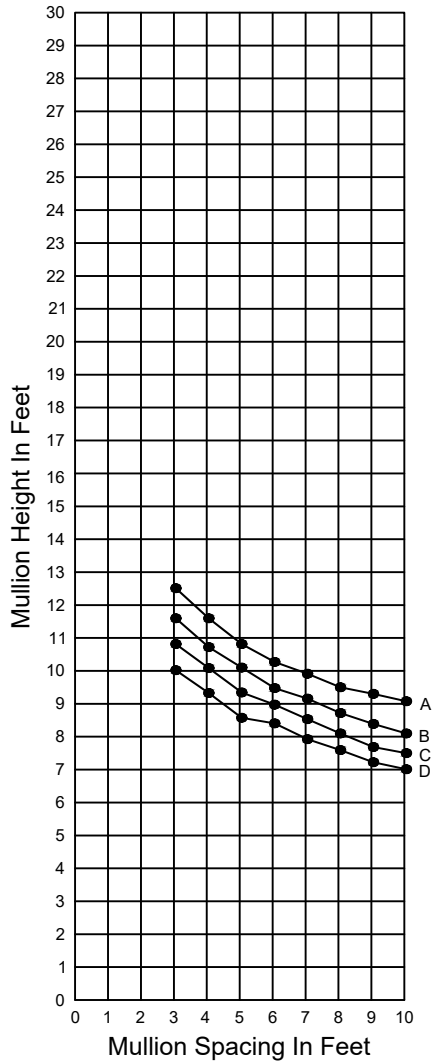


**Wall Jamb**

113-1

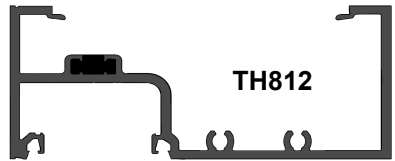
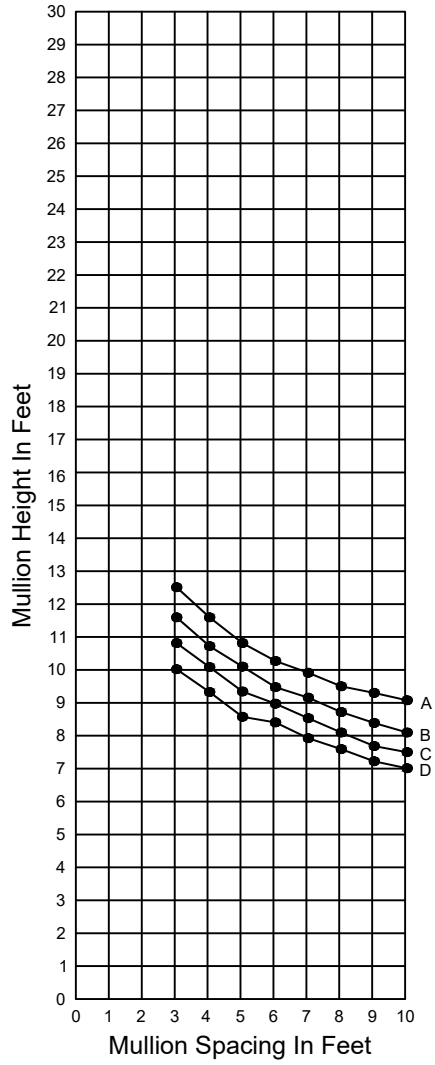


**Wall Jamb Flat Filler**



Curve Representation : A = 15 PSF  
B = 20 PSF  
C = 25 PSF  
D = 30 PSF

With 12 GA. Steel Stiffener



Curve Representation : A = 15 PSF  
 B = 20 PSF  
 C = 25 PSF  
 D = 30 PSF

